

FIRE RATED ACCESS PANEL

2hr fire rated wall access panel

TECH SHEET: PANEL-02

Issue: 08-09-06

Hinged or screw fixed wall access panel with 2 hr fire rating

DESCRIPTION

Hinged or screw fixed wall access panel suitable for installation in masonry or stud walls with a pressed metal frame or T-section frame, with a -/120/60 fire rating.

APPLICATIONS

Shops, offices, apartments, factories and any application where access needs to be achieved through a fire rated wall.

FEATURES

- Fully insulated for 60 or 120 minutes,
- Ply or steel facing available
- Suitable for masonry, concrete or plaster walls
- Screw fixed at 500mm centres on all sides, or hinged with budget locks at 500mm centres on lock side.
- 48mm or 67mm thick
- Medium and hot temperature smoke seals, fire seals, and acoustic seals available
- Standard 4 sided pressed metal door frame with 25mm doorstops available in a variety of profiles (see *fire rated frame profiles*), or T-Section frame available (screw fix only) comprised of 2 welded 25mm x 25mm x 3mm steel angles
- Single leaf configurations only
- Recommended hinge configuration:
 - up to 2040 x 920 = 3 hinges.
 - up to 2400 x 1200 = 4 hinges.

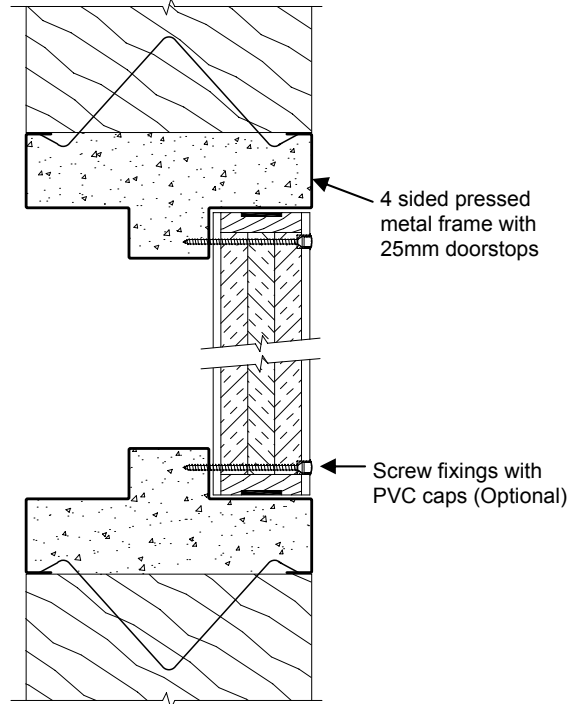
MODELS

Model	FRL	Thickness (mm)	Max size (mm)
PWAP-120/60	-/120/60	48	2400 x 1200
PWAP-120/120	-/120/120	67	1145 x 645

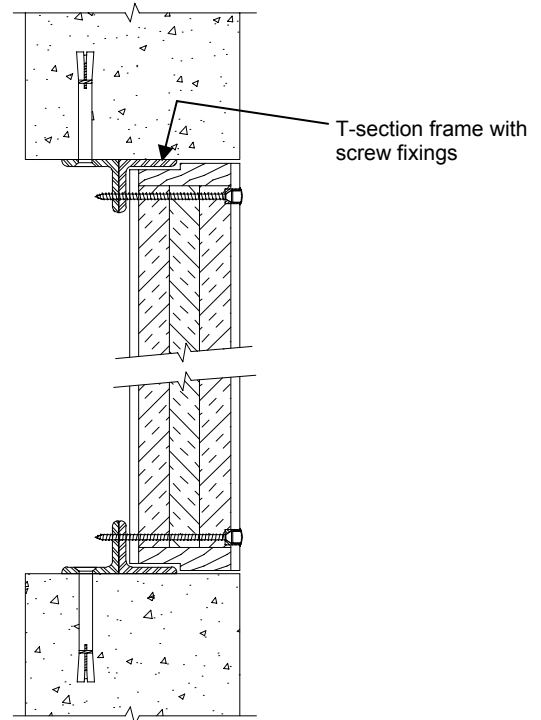
HOW TO SPECIFY

"Eg. Access panel to be a Pyropanel fire rated wall access panel PWAP-120/60, 48mm thick*, -/120/60, Ply face, with hinges and budget locks / screw fixings**"

* denotes example - delete, change or specify as required.



Wall panel with pressed metal door frame



Wall panel with T-Section frame



Pyropanel Developments Pty Ltd
 122-124 Beresford Rd, Lilydale, VIC, 3140
 Ph: (03) 9735 5688 Fax: (03) 9739 5772
 Email: sales@pyropanel.com.au
 Web: www.pyropanel.com.au

Distributed by:
 HOLLAND FIRE DOOR INSTALLATIONS
 23 Saggart Field Rd, Minto, NSW, 2566
 Ph: 9603 8500 Fax: 9603 9625