

FIRE RATED GLAZING

Pyrostop -/120/120 fire window

TECH SHEET: FW-06

Issue: 08-09-06

Fire rated window, -/120/120 using Pilkington Pyrostop™ clear glass in an insulated steel frame

Page 1 of 3

DESCRIPTION

Insulated steel framed fire rated window providing 120 minutes integrity and 120 minutes of insulation protection with perfectly clear Pilkington Pyrostop™ insulating glass, this system is a great solution for applications requiring certified fire resistance for both integrity and insulation and the added safety benefit of radiation protection.

APPLICATIONS

Fire escapes, smoke lobbies, computer rooms, car parks and factories, boundary walls, or wherever there is a need for integrity and insulation protection, with the need to protect the building and occupants against the spread of fire due to radiant heat transmission.

FEATURES

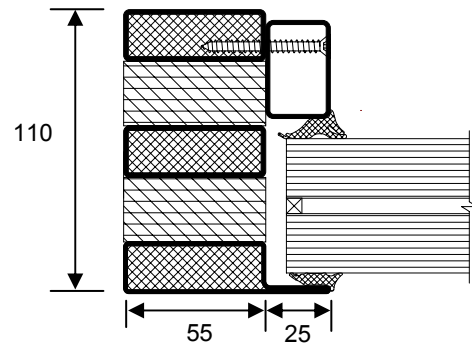
- Fully certified to Australian Standards AS1530.4
- -/120/120 FRL using 52mm Pilkington Pyrostop™ for internal applications, and 56mm for external applications
- Reduces radiant heat transmission by over 98%
- Internal and External applications
- Very high light transmission value
- Forster® insulated framing system
- Class A impact rated to AS2208
- For use in 2hr timber and steel stud walls, all fire rated masonry walls, gypsum block walls, aerated concrete blocks and wall panels. *Refer to Pyropanel if your wall type is not listed.*
- Up to 47 Rw
- Single or Multiple panes up to 2400h x 1415w (visible) (2560 x 1575 overall frame size)
- Arched windows
- Can be integrated into steel framed -/60/30 glass fire doors (*Contact Pyropanel for more information*)
- Standard finish is Prime Painted, ready for undercoating and top coat

OPTIONAL EXTRAS

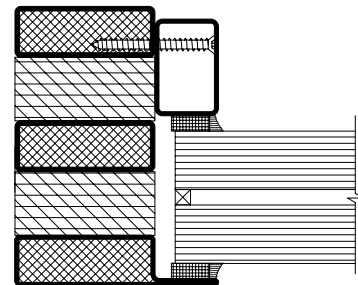
- Powdercoating
- Tinted films

MODELS AVAILABLE

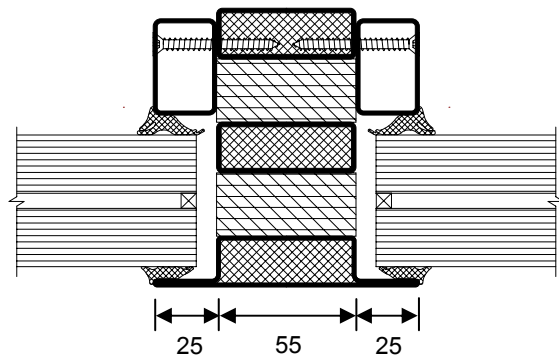
Model	FRL	Glass Thickness	Max Pane size (visible)
PFWS-PS120/120	-/120/120	52 or 56mm	2400 x 1415



Standard profile with rubber beading (internal application)



Standard profile with silicone beading (internal or external application)



Standard mullion and transom profile

Continued...

HOW TO SPECIFY

*Eg, "Window to be fully test and certified Pyropanel Fire Window PFWS-PS120/120, -/120/120 FRL, incorporating Forster insulated steel frame and 52 / 56mm*Pilkington Pyrostop™ clear intumescent glass, with rubber beading / silicone weather seal*. System available from Pyropanel Developments"*

* denotes example - delete or change or specify as required



Pyropanel Developments Pty Ltd
 122-124 Beresford Rd, Lilydale, VIC, 3140
 Ph: (03) 9735 5688 Fax: (03) 9739 5772
 Email: sales@pyropanel.com.au
 Web: www.pyropanel.com.au

Distributed by:
 HOLLAND FIRE DOOR INSTALLATIONS
 23 Saggart Field Rd, Minto, NSW, 2566
 Ph:9603 8500 Fax:9603 9625