

FIRE DOOR LEAVES

Timber glass fire doors

TECH SHEET: FD-05

Issue: 27-03-07

Glass fire doors with timber edges, available in half and full lites, singles & pairs, -/60/30, metal or timber

DESCRIPTION

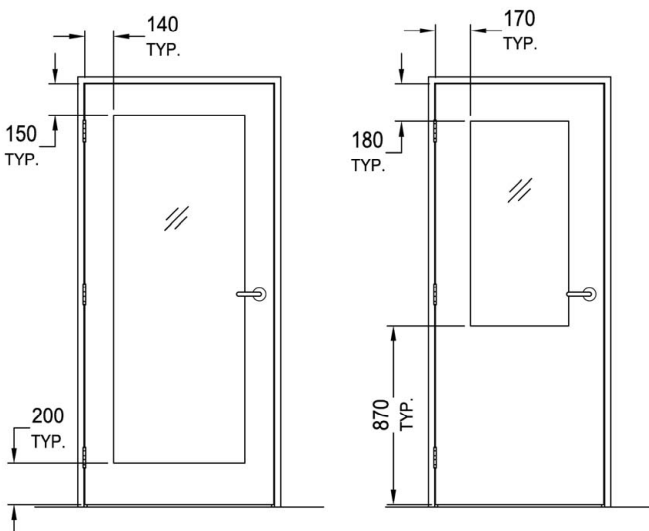
Glass and Timber Fire door leaves utilising the latest Pyropanel fire resistant door core and design technology combined with Pilkington insulating glass, these doors are fully tested and certified to AS1530.4 and AS1905.1, and are available in a variety of sizes and finishes in for 1 hour fire resistance levels.

APPLICATIONS

Ideal for most applications that require a certified fire door with the added safety and benefits of fire resistance glass, especially in hospitals, schools, car parks, shopping centres, offices, residential complexes, public buildings etc.

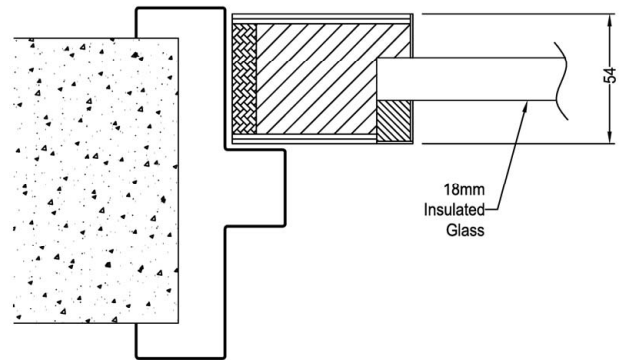
FEATURES

- Fully tested and certified for -/60/30 FRL.
- 1/2 lite or full lite configurations with std designs available
- For use in 1hr and 2hr timber and steel stud walls, all fire rated masonry walls, gypsum block walls, aerated concrete blocks and wall panels. Refer to Pyropanel if your wall type is not listed.
- Paint grade Ply facings as standard.
- 1/2 lite available in pairs, full lite in singles only.
- 54mm thickness.
- Incorporates 18mm Pilkington Pyrostop™ Fire rated glass with A-class impact resistance.
- Suitable for Pyropanel Pressed Metal Door Frames with 25mm doorstop, or Pyropanel one hour Fire Rated Timber Door Frame with 20mm doorstop.
- Doors weigh approx 35 (1/2 lite) and 45 (full lite) kg/m².



OPTIONAL EXTRAS

- MDF or Ply facings
- Veneer, steel, aluminium, PVC or laminate facings
- Kick Panels of stainless steel to selected height
- Smoke seals, viewing lens, electric strikes and locks, panic bars, magnetic hold open devices, etc, are all optional hardware items - Refer to Pyropanel hardware tech sheet for the latest edition of the approved hardware, or contact Pyropanel for any items that are not listed.
- Fire rated top and side-lites available in either insulating or non insulating glass.
- Pre-hung option available.
- Pairs available - refer Pyropanel Steel Glass Fire Doors.



MODELS AVAILABLE

Model	FRL	Thick ness	Max Leaf size - Single	Max Leaf size - Pairs	Max Glass panel
PG1FD060-54	-/60/30	54	2400 x 920*	2400 x 920*	Half
PG2FD060-54	-/60/30	54	2700 x 1050*	N/A	Full

* Also available as 2100 x 1200

HOW TO SPECIFY

Eg, "Door to be a Pyropanel PG2FD060-54* Full -Lite Glass Fire Door, 54mm thick, tested and certified -/60/30 FRL, Ply face*, mounted in Pyropanel PMDF / Pyropanel Fire rated timber door frame*, with the following options: (eg, kick panels, etc*),

* denotes example - delete or change or specify as required



Pyropanel Developments Pty Ltd
 122-124 Beresford Rd, Lilydale, VIC, 3140
 Ph: (03) 9735 5688 Fax: (03) 9739 5772
 Email: sales@pyropanel.com.au
 Web: www.pyropanel.com.au

Distributed by:
HOLLAND FIRE DOOR INSTALLATIONS
 23 Saggart Field Rd, Minto, NSW, 2566
 Ph:9603 8500 Fax:9603 9625