

# BUILDING-IN DETAILS

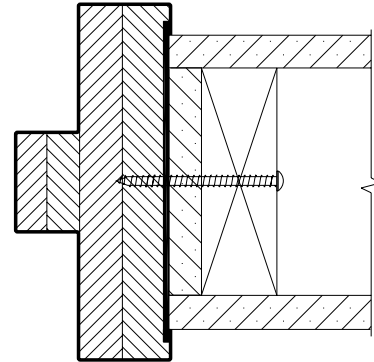
## Fire Rated Plasterboard walls

### DESCRIPTION

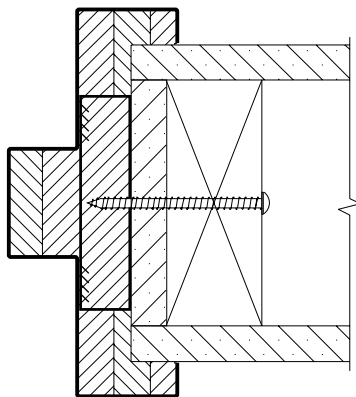
Building in details showing the approved fixing methods for standard fire rated plasterboard stud (timber or steel studs) walls up to 2 hours of fire rating.

### REQUIREMENTS

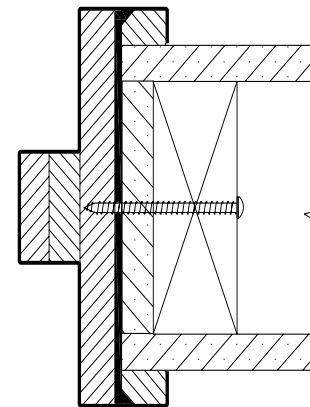
- Back-filling with fire rated plasterboard, plaster, Pyropanel M4 lightweight mortar or mortar is required to meet the frame Insulation requirements of 30 minutes to the current standards (AS 1530-2014). Back-filling with Pyropanel lightweight M4 Mortar is required for Insulation requirements of 60 minutes.
- Ensure all gaps are tightly filled with Pyropanel Multiflex fire rated acoustic sealant.
- Fixings to be at max 500mm centres (10 gauge steel screws).
- Note: Some special installations (e.g timber architraves/other cladding over steel frame) require a specific frame filling material. Please check prior to installation.



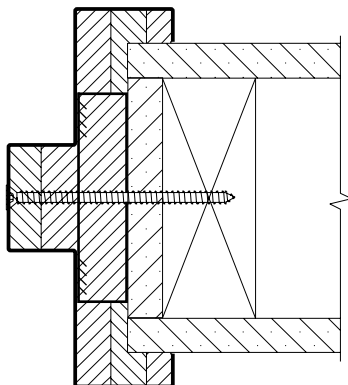
Steel strap



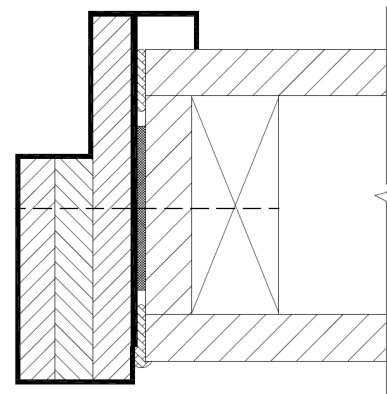
MS tube or saddle bracket



Steel strap



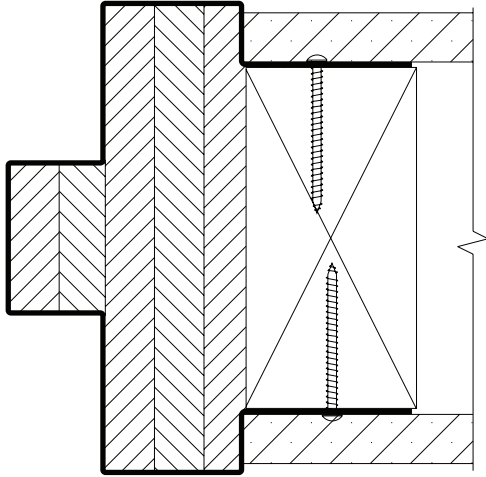
MS tube or saddle bracket



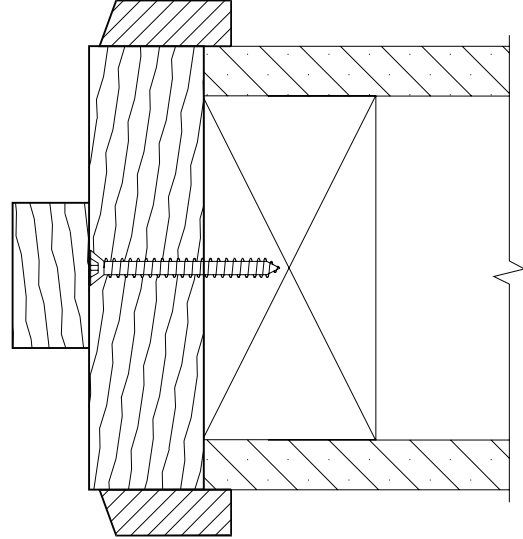
Steel strap

# BUILDING-IN DETAILS

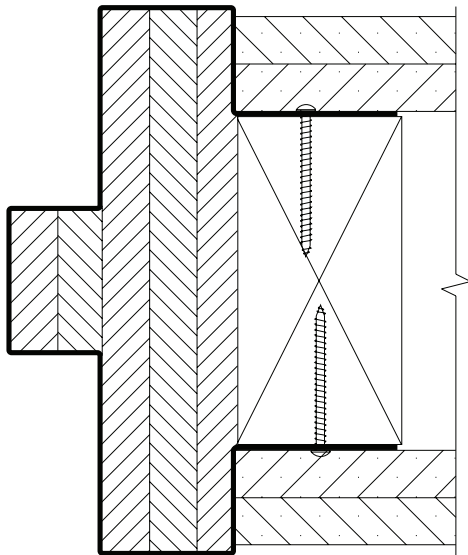
## Fire Rated Plasterboard walls



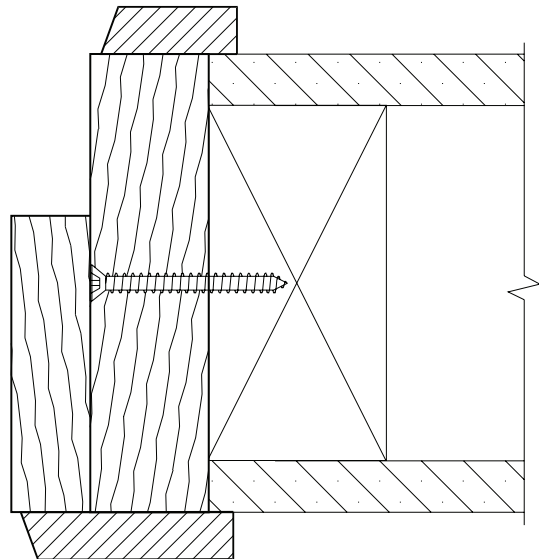
Steel frame - single layer of plasterboard



Timber frame - Single layer of plasterboard



Steel frame - double layer of plasterboard



Timber frame - Single Rebate with single layer of plasterboard

Note: The architrave is a mandatory component to protect hinge screws and striker plate.

**Pyropanel Developments Pty Ltd**

235 Huntingdale Rd, Oakleigh, Vic 3166  
Ph: **(03) 9837 8500** Fax: (03) 9837 8550  
Email: [sales@pyropanel.com.au](mailto:sales@pyropanel.com.au)  
Web: [www.pyropanel.com.au](http://www.pyropanel.com.au)

**Distributed by:**

**Holland Fire Doors & Windows**

23 Saggart Field Rd, Minto, NSW, 2566  
Ph: **9603 8500**  
Email: [sales@hollandfiredoors.com.au](mailto:sales@hollandfiredoors.com.au)