

BUILDING IN DETAILS

Gaps around fire doors

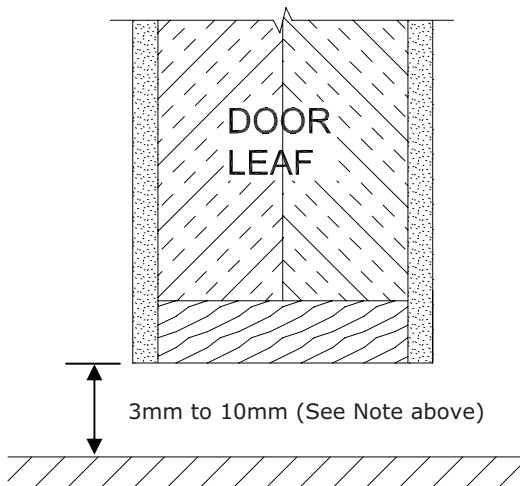
DESCRIPTION

Fire doors must be installed to AS1905.1 or as per tested or assessed, which includes the allowable gaps around the stiles, head and base of the door. The following technical sheet describes the maximum allowable gaps and acceptable rectification methods.

ACCEPTABLE CLEARANCES

- **Stiles and head:**
 - In the closed position, gaps between the door and frame jamb (head, hinge and lock stiles) are not to exceed 3mm.
 - Door leaf to the door seat rebate to not exceed 5mm average.
- **Bottom:**
 - Maximum allowable gap between leaf and top of finished floor level is 10mm (3-10mm is recommended).

(Note: Up to 15mm gap is approved on some doors, contact licensed distributor to confirm.)



RECTIFICATION OF EXCESS GAPS

Stiles and head:

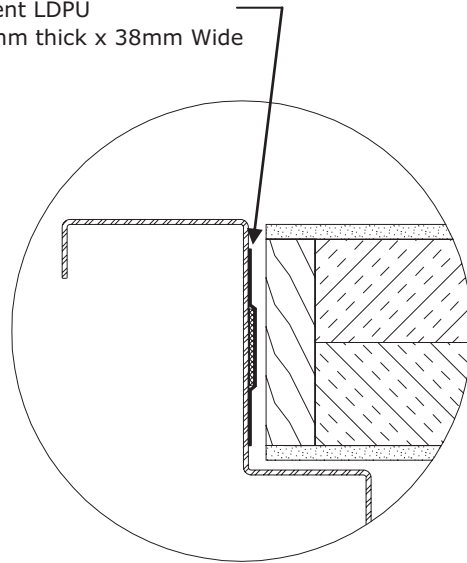
Gaps between door leaf and frame can be reduced by using the following methods:

- Lorient LDPU stick on perimeter seals attached to door frame or door leaf for gaps up to 6.5mm.

Stick on perimeter seals installation:

- Can be used where there are excessive stile or head gaps.
- Can be used on each stile of door leaf.
- Integrated self adhesive tape is used to apply seal to door rebate.

Lorient LDPU
1.6mm thick x 38mm Wide



Seal	Product Code	Door Thickness	Std Colour	Length (mm)
LDPU	LDPU-1000	35-48	White	1000
	LDPU-2100	35-48	White	2100
	LDPU-2750	35-48	White	2750

BUILDING IN DETAILS

Gaps around fire doors

RECTIFICATION OF EXCESS GA

Bottom:

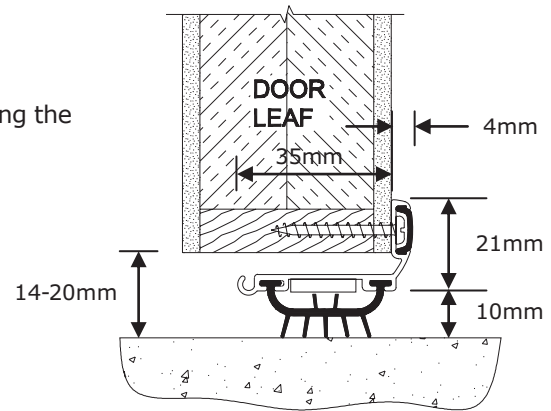
Gaps of up to 20mm at the bottom of the door can be reduced by using the following methods, which are approved up to 4 hrs:

- Adding one of the following approved bottom upgrade seals:
 - **Raven RP114**
 - **Kilargo FDBU20**
 - **Lorient LDBU**
- **Pyropanel Greenboard can be used** to reduce gaps by 10mm. (*Contact Pyropanel Distributor for more info*)
- **Non-combustible threshold seals** can be used to reduce the gap under a fire door:
 - Raven threshold seals: RP28, RP29 RP77, RP82, RP95 (gaskets must be removed)
 - Kilargo threshold seals (Up to 3hr fire rating): IS4010, IS4015, IS4020, IS4025, IS4070, IS4075, IS4110, IS4120.
 - Lorient threshold seals: LAS4001, LAS4002, LAS4010, LAS4011, LAS4012, LAS 4013, AAS4551, AAS4552.

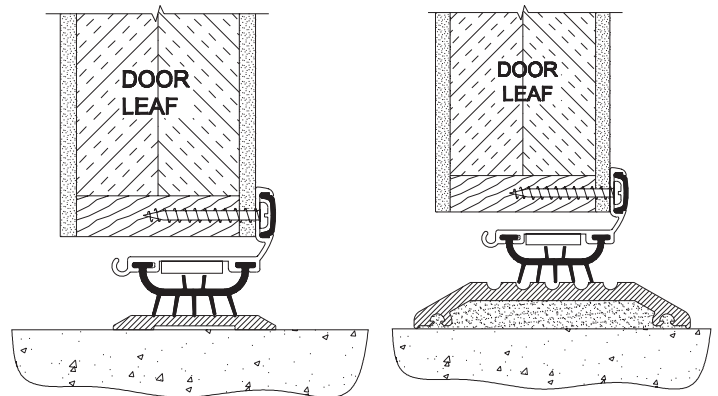
Installation of bottom intumescent fire and hot smoke seals:

The bottom intumescent seals should just clear the floor during door opening and closing. To avoid the seal fouling on uneven or sloping surfaces the finned gasket portion should engage an approved threshold plate.

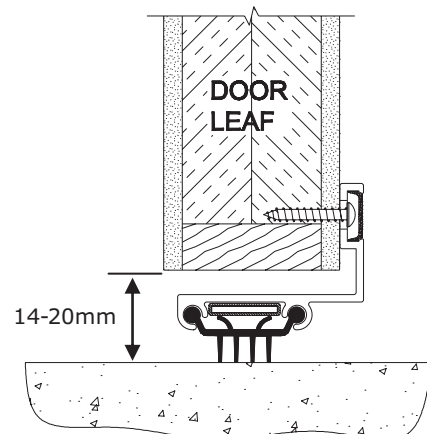
- **Location:** Bottom of Fire and Smoke doors.
- **Min/Max Gap:** 14mm to 20mm (without threshold plate).
- **Seal Sizes:** Sizes up 1220mm.
- **Fixing method:** Cut seal to length and attach with screws.
- **Seal Material:** Intumescent infill, elastomeric cover strip and finned gasket.
- **Used in conjunction with** approved threshold plates.



Example of the bottom Intumescent seal installed on a fire door



Example of bottom intumescent seal installed on a 48mm fire door with additional threshold seals.



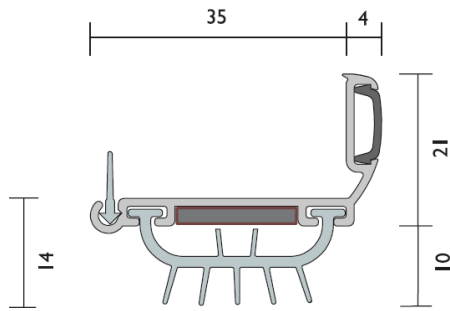
Example of bottom intumescent seal installed on a 38mm fire door.

BUILDING IN DETAILS

Gaps around fire doors

Rectification of bottom gaps con't.

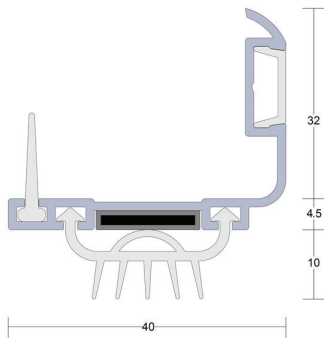
Raven RP114



Raven Seals

Seal	Product Code	Finish	Length (mm)
RP114	OEM114C820	Clear Anodised	820
	OEM114B820	Bronze Anodised	820
	OEM114C915	Clear Anodised	915
	OEM114B915	Bronze Anodised	915
	OEM114C1220	Clear Anodised	1220
	OEM114B1220	Bronze Anodised	1220

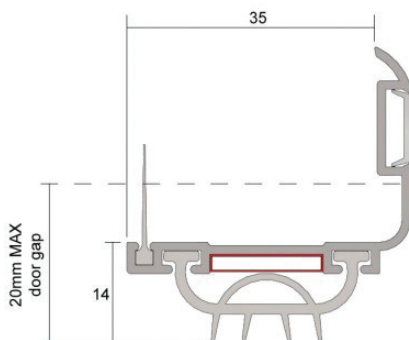
Lorient LDBU



Lorient Seals

Seal	Product Code	Door Thickness	Std Colour	Length (mm)
LDBU	LDBU-820	35 - 48	Silver	820
	LDBU-920	35 - 48	Silver	920
	LDBU-1220	35 - 48	Silver	1220

Kilargo FDBU20



Kilargo Seals

Seal	Product Code	Door Thickness	Std Colour	Length (mm)
FDBU20	FDBU20-820-CA	35 - 48	Silver	820
	FDBU20-920-CA	35 - 48	Silver	920
	FDBU20-1220-CA	35 - 48	Silver	1220

Notes:

Stick on perimeter seals may be painted over
Other colours available on special order

Pyropanel Developments Pty Ltd

Unit 1, 97 Lewis Rd, Wantirna South, Vic 3152

Ph: **(03) 9837 8500** Fax: (03) 9837 8550

Email: sales@pyropanel.com.au

Web: www.pyropanel.com.au

Distributed by:

Holland Fire Doors & Windows

23 Saggart Field Rd, Minto, NSW, 2566

Ph: **9603 8500**

Email: sales@hollandfiredoors.com.au