

BUILDING IN DETAILS

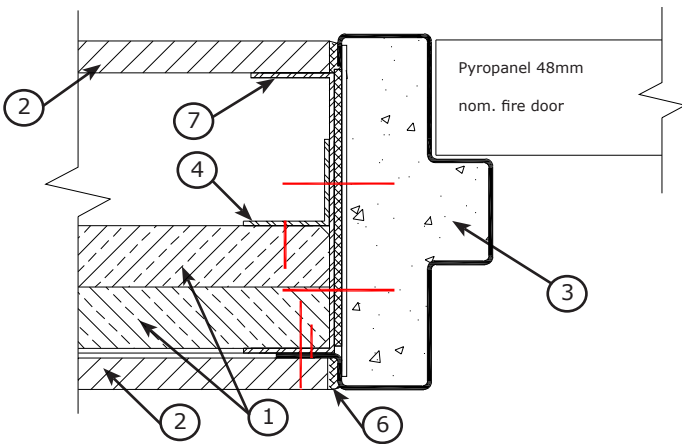
Boral IntRwall Shaftliner walls

DESCRIPTION

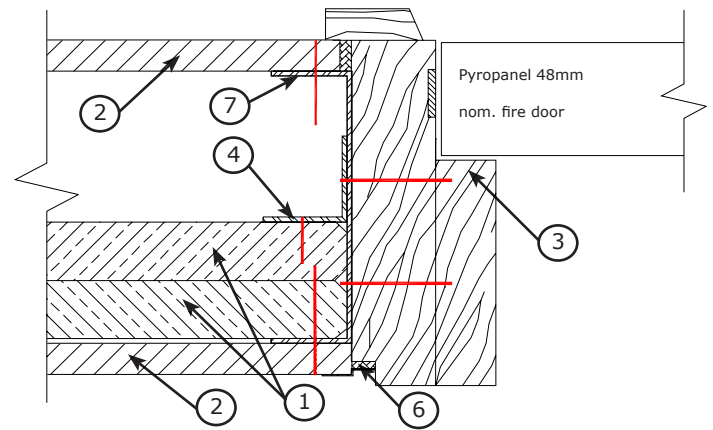
Building-in details showing the approved fixing methods for Boral IntRwall shaftliner wall systems for up to 2 hours of fire rating.

REQUIREMENTS

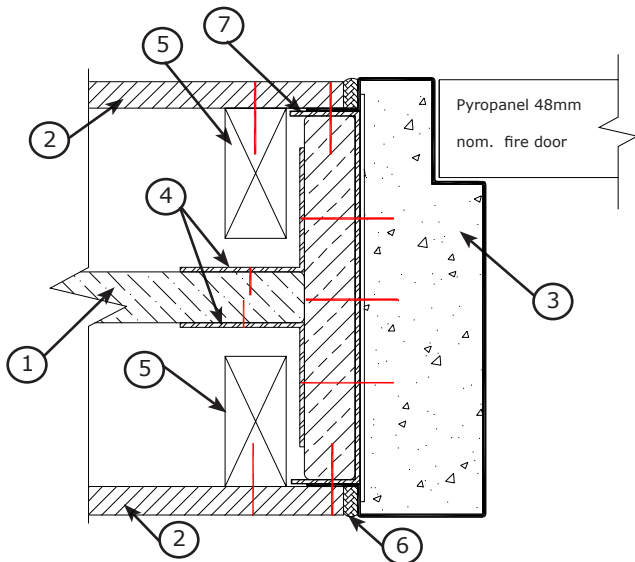
- Back-filling with Pyropanel light weight M4 Mortar.
- Pyropanel 48mm nom. thick fire door.
- Fixings to be at max. 450mm centres.
- Ensure all gaps are tightly filled with Pyropanel Multiflex fire rated sealant.



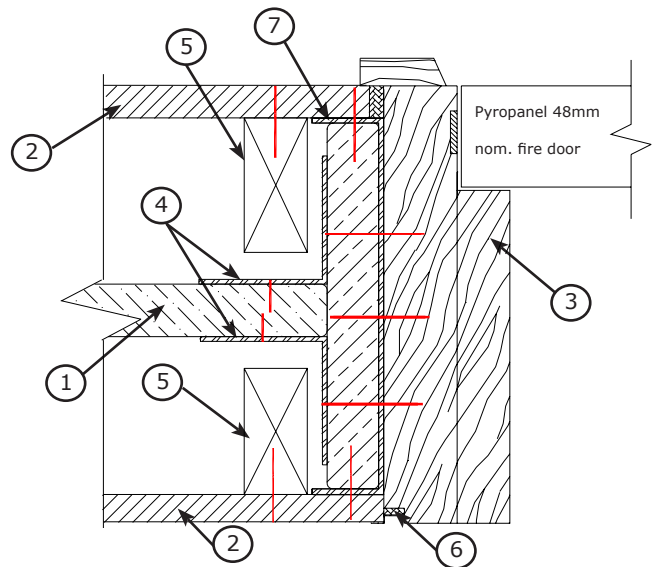
Offset 2 layer Shaftliner systems with steel door frame



Offset 2 layer Shaftliner systems with timber door frame
(Timber frame limited to 1hr applications)



1 layer central Shaftliner systems with steel door frame

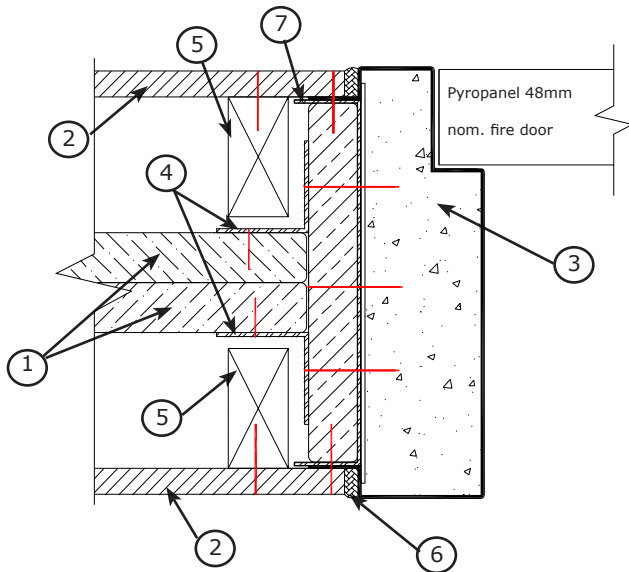


1 layer central Shaftliner systems with timber door frame
(Timber frame limited to 1hr applications)

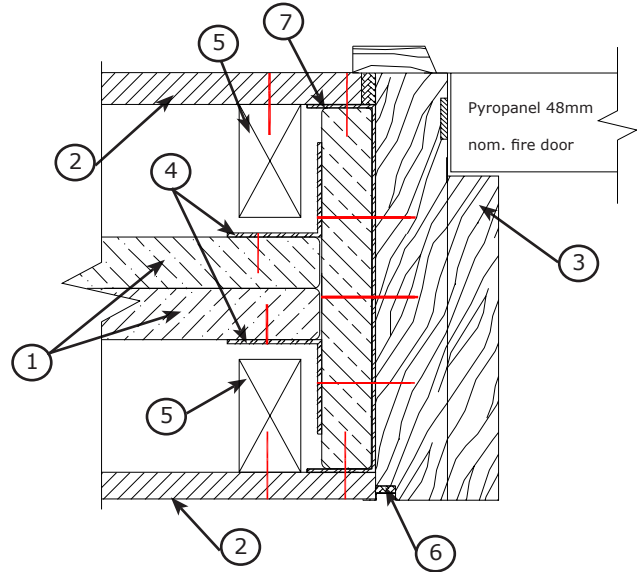
Note: Legend for drawings on Page 2

BUILDING IN DETAILS

Boral IntRwall Shaftliner walls



2 layer central Shaftliner systems with steel door frame


 2 layer central Shaftliner systems with timber door frame
 (Timber frame limited to 1hr applications)

LEGEND FOR DRAWINGS

Item	Description
1	Boral 25mm Shaftliner
2	Plasterboard as required by Partiwall system number (Wall system numbers listed below)
3	Steel frame or timber frame: <ul style="list-style-type: none"> ➤ 1.6mm Steel frame filled with Pyropanel light-weight M4 mortar, or ➤ Pyropanel fire rated timber frame (timber frame limited to 1hr applications). ➤ Frame fixings at 450mm centres.
4	35 x 35 x 0.7mm steel angle
5	Steel framing or timber stud framing
6	Pyropanel Multiflex fire rated sealant
7	Steel framing track to suit thickness of wall with nominally 32mm wide flange and 1.2mm thick

Boral systems with 2 x 25mm Shaftliner

System No.	FRL
50IW13S13	-/60/60 -/90/90*
50IW13FS13F	-/90/90 -/120/120*
50IW13AS13A	-/60/60 -/90/90*
50IWFR10S13A	-/60/60
50IWF13S13	-/60/60 -/90/90*
50IWF13FS13F	-/90/90 -/120/120*
50IWF13AS13A	-/60/60 -/90/90*
50IWS13S13	-/90/90
50IWS13AS13A	-/90/90
50IWS13FS13F	-/120/120
50IWS13WS13W	-/90/90

Boral systems with 1 x 25mm Shaftliner

System No.	FRL
25IWS13S13	-/60/60
25IWS13AS13A	-/60/60
25IWS13WS13W	-/60/60
25IWS20WS20	-/60/60

Pyropanel Developments Pty Ltd

235 Huntingdale Rd, Oakleigh, Vic 3166
 Ph: (03) 9837 8500 Fax: (03) 9837 8550
 Email: sales@pyropanel.com.au
 Web: www.pyropanel.com.au

Distributed by:
Holland Fire Doors & Windows

23 Saggart Field Rd, Minto, NSW, 2566
 Ph: 9603 8500
 Email: sales@hollandfiredoors.com.au