

FIRE DOOR LEAVES

Timber glass fire doors

DESCRIPTION

Glazed Timber Fire doorset utilising the latest Pyropanel fire resistant door core and design technology, combined with Pilkington insulating fire rated glass, these doors are fully tested and certified to AS1530.4 and AS1905.1, and are available in a variety of sizes and finishes for 1 hour fire resistance levels.

APPLICATIONS

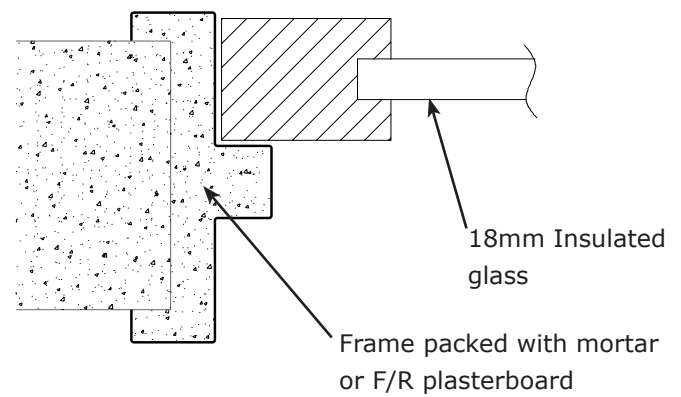
Ideal for most applications that require a certified fire door with the added safety and benefits of fire resistant glass, especially in hospitals, schools, car parks, shopping centres, offices, residential complexes, public buildings etc.

FEATURES

- Fully tested and certified for -/60/30 FRL.
- Half-Lite or Full-Lite configurations available.
- For use in plasterboard stud walls & Masonry walls. Refer to Pyropanel if your wall type is not listed.
- Paint grade Ply facings as standard.
- Half-Lite available in singles or pair. Full-Lite in singles only.
- Incorporates 18mm Pilkington Pyrostop™ Fire rated glass with Class-A impact resistance.
- Suitable for Pyropanel Fire rated Steel Door Frames with 25mm doorstop, or Pyropanel one hour Fire Rated Timber Door Frame with 20mm doorstop.
- Doors weigh approx 35 kg/m² (Half-Lite) and 45 kg/m² (Full-lite).

OPTIONAL EXTRAS

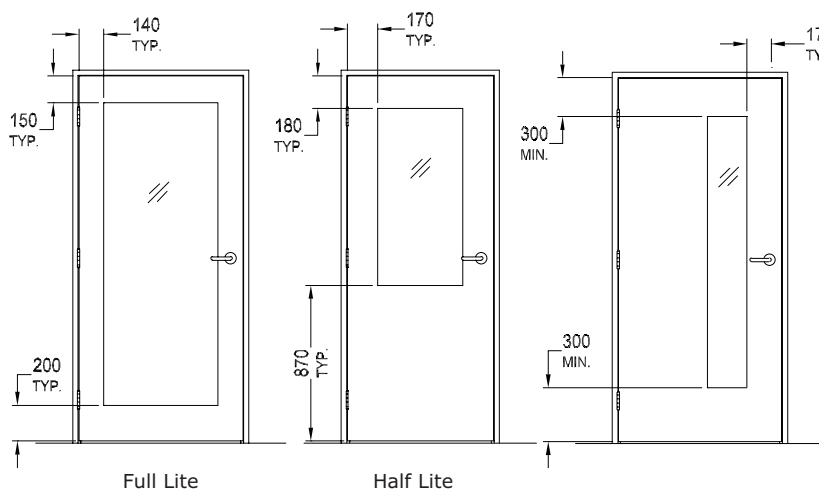
- MDF or Ply facings
- Pre-hung option available
- Acoustic options available, see table on page 2 for seal combinations.
- For fully glazed pair doors, refer *Pyropanel Steel Glass Fire Doors (Techsheet FD-06)*



MODELS AVAILABLE

Model	Door	FRL	Thickness (nom.)	Max Leaf size - Single	Max Leaf size - Pair
PG1FD060-52	Half-lite	-/60/30	52	2400 x 920*	2400 x 920*
PG2FD060-54	Full-lite	-/60/30	54	2700 x 1050*	N/A

* Also available as 2100 x 1200



HOW TO SPECIFY

Eg, "Door to be a Pyropanel PG2FD060-54* Full-Lite Glass Fire Door, 54mm thick, -/60/30 FRL, Ply face*, mounted in Pyropanel PMDF / Pyropanel Fire rated timber door frame*.

* denotes example - delete, change or specify as required

Pyropanel Developments Pty Ltd

235 Huntingdale Rd, Oakleigh, Vic 3166
 Ph: (03) 9837 8500 Fax: (03) 9837 8550
 Email: sales@pyropanel.com.au
 Web: www.pyropanel.com.au

Distributed by:

Holland Fire Doors & Windows

23 Saggart Field Rd, Minto, NSW, 2566
 Ph: 9603 8500
 Email: sales@hollandfiredoors.com.au

FIRE DOOR LEAVES

Timber glass fire doors

ACOUSTIC DATA

Model	Door	Door configuration	Perimeter seal	Bottom seal	Meeting stile seals	Rw
PG1FD060-52	Half-lite	Single	Pyropanel Euroseal	Raven RP8si or Lorient LAS8001si	N/A	32
		Pair	Pyropanel Euroseal	Raven RP8si or Lorient LAS8001si	Pyropanel J-section with fin seals	31

Pyropanel Developments Pty Ltd

235 Huntingdale Rd, Oakleigh, Vic 3166
Ph: **(03) 9837 8500** Fax: (03) 9837 8550
Email: sales@pyropanel.com.au
Web: www.pyropanel.com.au

Distributed by:**Holland Fire Doors & Windows**

23 Saggart Field Rd, Minto, NSW, 2566
Ph: **9603 8500**
Email: sales@hollandfiredoors.com.au