

FRAME PROFILES

Upgrading non fire rated door frames

DESCRIPTION

Allowable methods for upgrading non fire rated steel door frames to suit Pyropanel fire rated doorsets.

APPLICATIONS

Ideal for most applications that have an existing non rated door frame (with a door stop less than 25mm) that now requires a fire rated doorset (with 25mm door stop), or where the door thickness needs to be increased.

FEATURES

- Approved to AS 1530.4 - 1997.
- Approved on Pyropanel hinged doors for up to 4hrs fire rating.

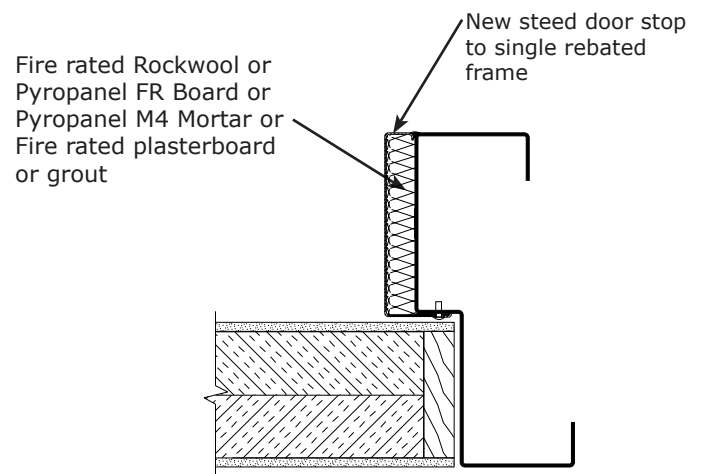
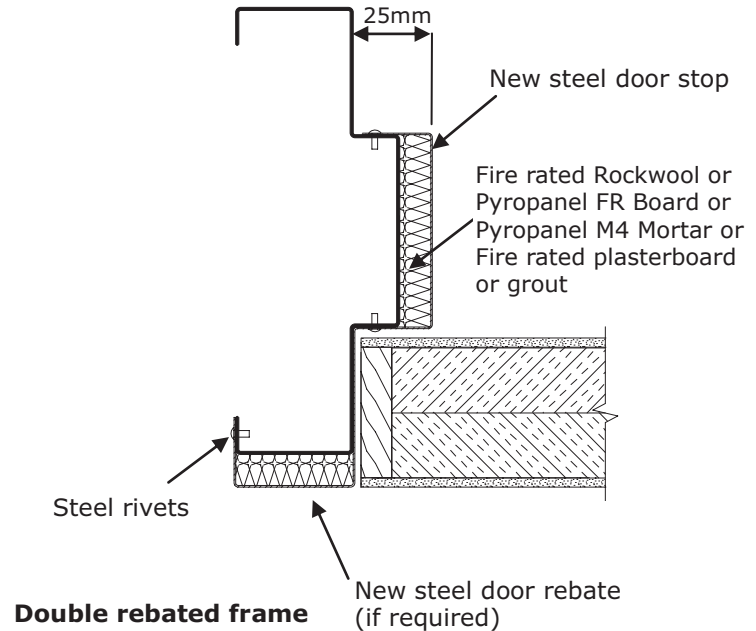
ALLOWABLE METHOD

Door stops

- Existing door frame thickness must be at least 1.1mm.
- A steel channel is used to increase the door stop to at least 25mm thick.
- Pack new door stop with fire rated rockwool or Pyropanel FR Board.
- Mechanically fix new door stop by using either steel rivets or welding at 300mm centres.

Door rebate

- Existing door frame thickness must be at least 1.1mm.
- A steel channel is used to increase the door rebate to the desired measurement.
- Pack new door rebate with fire rated rockwool or Pyropanel FR Board or Pyropanel M4 Mortar or Fire rated plasterboard or grout.
- Mechanically fix new door stop by using either steel rivets or welding at 300mm centres.
- Ensure that frame and hinge plates are suitably located and strong enough to support the new door.



Single rebated frame