

# LIFE SAFETY DOOR

## LSD-60-C/MS Fire, Smoke and Acoustic Door

### DESCRIPTION

60 minute Fire Rated Life Safety Door that has been tested for fire resistance as to AS1530.4, and tested for smoke leakage to AS1530.7, incorporating a choice of high performance Cold / Medium smoke seals.

### APPLICATIONS

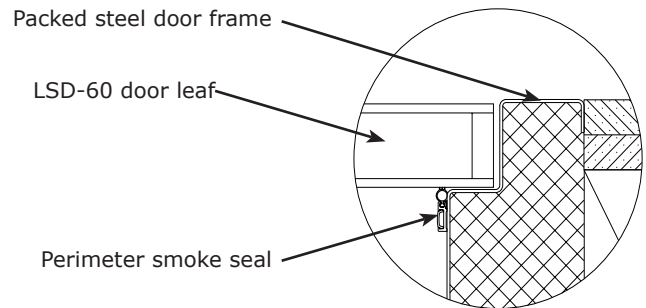
Ideal for Apartment entry doors or anywhere that requires 60 minutes of fire resistance, smoke resistance and acoustic resistance.

### FEATURES

- **SMOKE RESISTANCE (SRL): COLD / MEDIUM**
- **FIRE RESISTANCE (FRL): -/60/30**
- Tested to AS1530.7 for Smoke Leakage.
- Tested to AS1530.4 for Fire Resistance.
- Some acoustically tested (packed steel or timber frame)
- Packed Steel Frames, or Fire Rated Plantation Timber Frames
- 48mm and 38mm nom. thick, Single and Pair assemblies
- Environmentally friendly non-timber core
- Lighter than conventional 'solid-core' doors (leaf weight approximately 22kg/m<sup>2</sup> for 48mm thick door)
- Maximum size
  - Singles - 2400 x 1020mm (48mm)
  - 2040 x 820mm (38mm)
  - Pairs - 2400 x 1020mm per leaf (48mm)
- Meets the deemed to satisfy provisions for Smoke Doors found in Specification C3.4 Clause 3.2(b) of the NCC
- All pair assemblies are smoke tested with Pyropanel J-Section meeting Stiles with integrated Cold / Medium smoke seals.

### OPTIONAL EXTRAS

- MDF, Ply or Laminate facings
- Solid hardwood frames
- Vision panels - 300 x 200 or 600 x 100mm nom.
- Kick Panels of 1mm Stainless Steel to selected height
- Euroseal frame profile (see LSD-60-C/MS/EU)
- Pre-hung assembly available
- -/-/- and -/30/30 models available (see LSD-0-C/MS and LSD-30-C/MS)



### HOW TO SPECIFY

"Door to be a Pyropanel Life Safety Door LSD-60-C/MS with Packed steel / Fire Rated Timber\* door frames, 48mm\* thick, -/60/30 FRL, MDF/Ply face\*, with RP78Si\* perimeter seal, and RP99Si\* bottom seal, and the following options: (eg, vision panels, kick panels, etc),"

\* denotes example - delete, change or specify as required

### MORE INFORMATION

For more information on the range of Pyropanel Life Safety Doors, please refer to the Life Safety Door System Guide available for download at [www.pyropanel.com.au](http://www.pyropanel.com.au).

### SEAL COMBINATIONS

Frame Details	Nominal Leaf Thickness (mm)	Cold/Medium perimeter Smoke Seal	Bottom Seal	Smoke Leakage 2040x820 single (@10Pa)	Smoke Certificate (820 single)	Rw 48/38m
Packed steel or Fire Rated timber	48 or 38	RP78Si <sup>#</sup>	RP99Si <sup>#</sup> (SM)	<2m <sup>3</sup> /h	SFC40973	28 / -
Packed steel or Fire Rated timber	48 or 38	RP24si	RP38si (SM)	<2m <sup>3</sup> /h	SFC40974	30 / -

Note: # indicates default seal combination (supplied unless other seals specified)  
 Bottom Seal Orientation: SM- Semi Morticed, FM- Fully Morticed, S- Surface Mounted

**Pyropanel Developments Pty Ltd**  
 Unit 1, 97 Lewis Rd, Wantirna South, Vic 3152  
 Ph: (03) 9837 8500 Fax: (03) 9837 8550  
 Email: [sales@pyropanel.com.au](mailto:sales@pyropanel.com.au)  
 Web: [www.pyropanel.com.au](http://www.pyropanel.com.au)

**Distributed by:**  
**Holland Fire Doors & Windows**  
 23 Saggart Field Rd, Minto, NSW, 2566  
 Ph: 9603 8500  
 Email: [sales@hollandfiredoors.com.au](mailto:sales@hollandfiredoors.com.au)