

# FIRE RATED ACCESS PANEL

## 1hr fire rated wall access panel

### DESCRIPTION

Hinged or screw-fixed wall access panel suitable for installation in masonry or stud walls with a pressed metal frame or T-section frame, with a -/60/60 fire rating.

### APPLICATIONS

Shops, offices, apartments and any application where access needs to be achieved through a fire rated wall.

### FEATURES

- Fully insulated for 60 minutes
- MDF or ply facing available
- Suitable for masonry, concrete or plaster walls
- Screw fixed at 500mm centres on all sides, or hinged with budget locks at 500mm centres on lock side
- 48mm nom. thick
- Hot temperature smoke seals included. Medium smoke seals, and acoustic seals available (Optional)
- Standard 4 sided pressed metal door frame with 25mm doorstops available in a variety of profiles (see fire rated frame profiles), or
- T-Section frame available (screw-fix only) comprised of 2 welded 25mm x 25mm x 3mm steel angles
- Single leaf configurations only
- Recommended hinge configuration:
  - up to 2040 x 920 = 3 hinges
  - up to 2400 x 1000 = 4 hinges

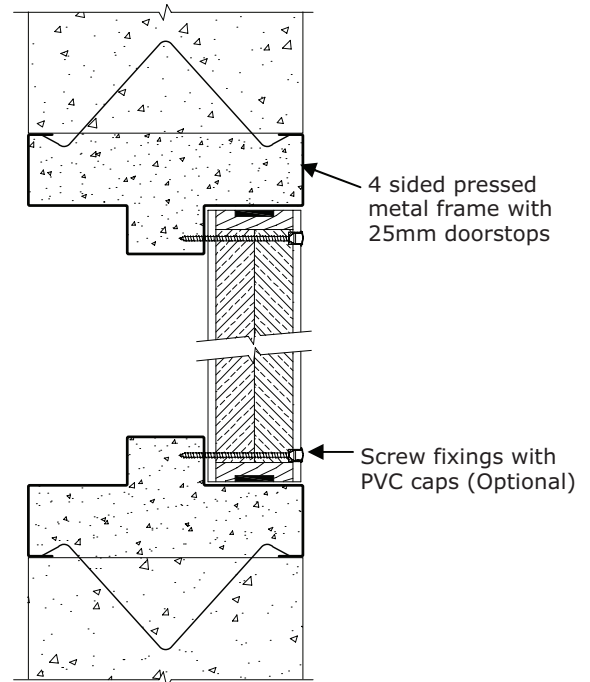
### MODELS

Model	FRL	Thickness (nom.)	Max Size (mm)
PWAP-60/60	-/60/60	48mm	2400 x 1000

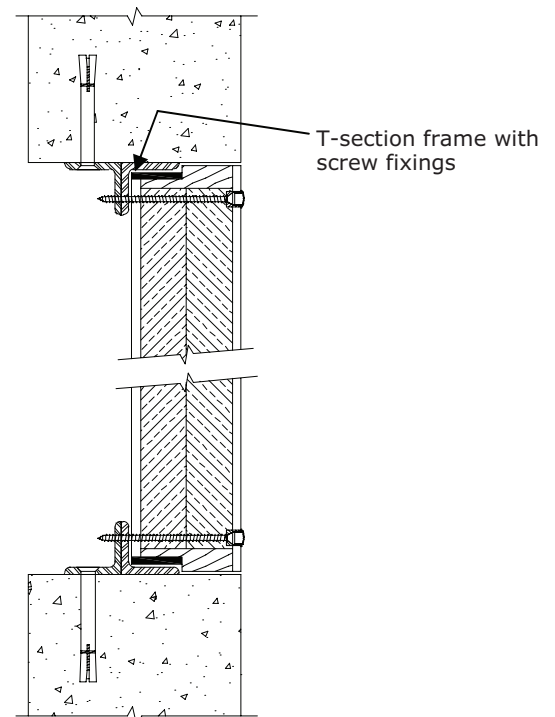
### HOW TO SPECIFY

"Eg. Access panel to be a Pyropanel fire rated wall access panel PWAP-60/60, 48mm thick\*, -/60/60, PLY face\*, with hinges and budget locks / screw fixings\*"

\* denotes example - delete, change or specify as required



Wall panel with pressed metal door frame



Wall panel with T-Section frame

**Pyropanel Developments Pty Ltd**  
 235 Huntingdale Rd, Oakleigh, Vic 3166  
 Ph: (03) 9837 8500 Fax: (03) 9837 8550  
 Email: [sales@pyropanel.com.au](mailto:sales@pyropanel.com.au)  
 Web: [www.pyropanel.com.au](http://www.pyropanel.com.au)

**Distributed by:**  
**Holland Fire Doors & Windows**  
 23 Saggart Field Rd, Minto, NSW, 2566  
 Ph: 9603 8500  
 Email: [sales@hollandfiredoors.com.au](mailto:sales@hollandfiredoors.com.au)