

FIRE RATED ACCESS PANEL

4hr fire rated wall access panel

DESCRIPTION

Hinged or screw fixed wall access panel suitable for installation in masonry walls with a pressed metal frame or Tsection frame, with a -/240/60 or -/240/120 fire rating.

APPLICATIONS

Shops, offices, apartments, factories and any application where access needs to be achieved through a fire rated wall.

FEATURES

- Insulated for 60 or 120 minutes
- Ply facing
- Suitable for masonry or concrete walls
- Screw fixed at 500mm centres on all sides, or hinged with budget locks at 500mm centres on lock side
- 48mm or 73mm thick
- Hot smoke seals included. Medium smoke seals and acoustic seals available (optional)
- Standard 4 sided pressed metal door frame with 25mm doorstops available in a variety of profiles (see fire rated frame profiles), or
- T-Section frame available (screw-fix only) comprised of 2 welded 25mm x 25mm x 3mm steel angles
- Single leaf configurations only

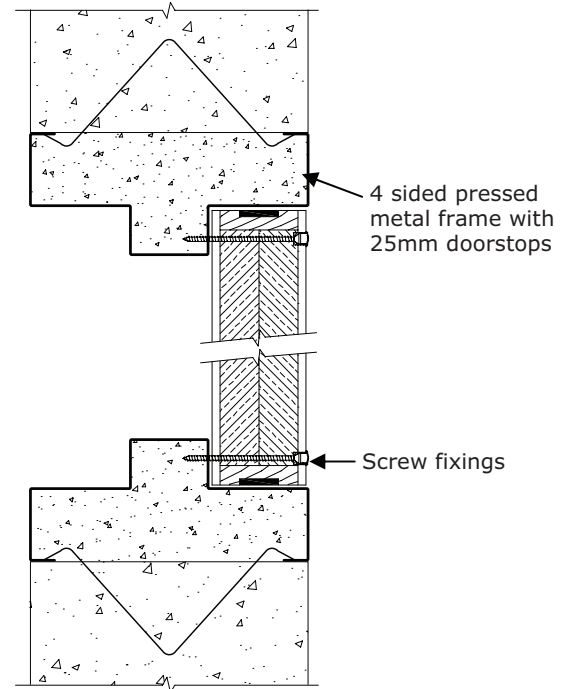
MODELS

Model	FRL	Thickness (mm)	Max Size (mm)
PWAP-240/60	-/240/60	48	2400 x 1000
PWAP-240/120	-/240/120	73	2400 x 1000

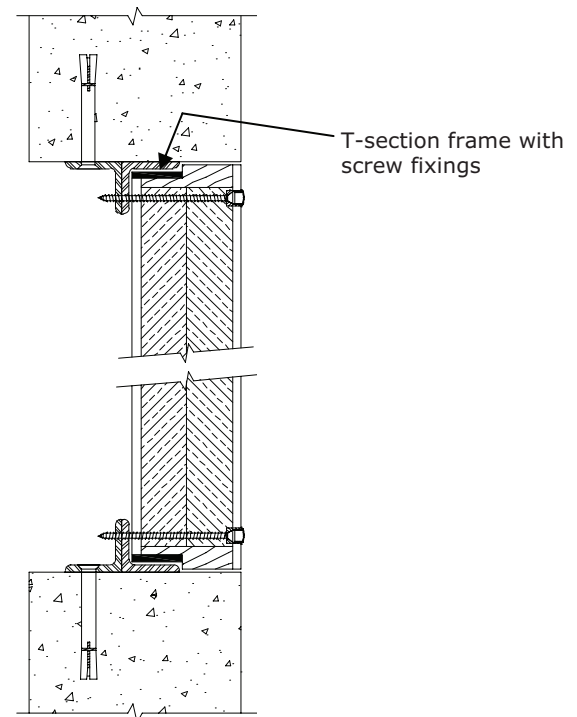
HOW TO SPECIFY

"Eg. Access panel to be a Pyropanel fire rated wall access panel PWAP-240/60*, 48mm* thick, -/240/60*, Ply face, screw fixings"

* denotes example - delete, change or specify as required



Wall panel with pressed metal door frame



Wall panel with T-Section frame

Pyropanel Developments Pty Ltd

235 Huntingdale Road, Oakleigh, Vic 3166
 Ph: (03) 9837 8500 Fax: (03) 9837 8550
 Email: sales@pyropanel.com.au
 Web: www.pyropanel.com.au

Distributed by:

Holland Fire Doors & Windows
 23 Saggart Field Rd, Minto, NSW, 2566
 Ph: 9603 8500
 Email: sales@hollandfiredoors.com.au