

# FIRE RATED ACCESS PANEL

## Lift motor room hatch / floor access panel

### DESCRIPTION

Specifically designed for lift motor room and plant room hatches, these units are manufactured to size and incorporate a steel checker plate cover, and a special four sided pressed metal frame which is suitable for casting into concrete floors.

### APPLICATIONS

Lift shafts, motor rooms, plant rooms, or any application that requires access through a fire rated concrete floor.

### FEATURES

- Anodised aluminium channel to four edges
- Ply or steel faced
- 48mm thick
- Screw fixed
- Recessed finger grips provided
- Finger holes provided in checker plate steel cover
- NOTE: Panels are non-structural and must not have any load directly applied - Steel checker plate is mandatory where there is any risk of load (including people) being applied
- Integrated hot smoke / fire seals included
- Medium temperature smoke seals available
- Singles or pairs with removeable mullion
- Deletion of Steel checker plate will reduce insulation value to 60 minutes.

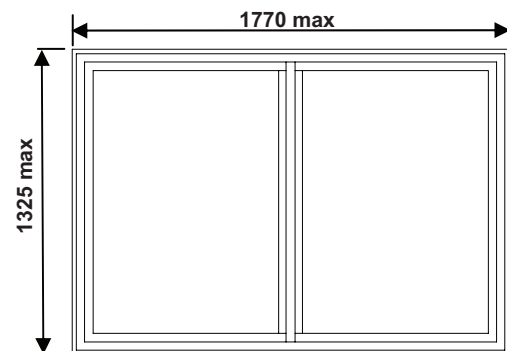
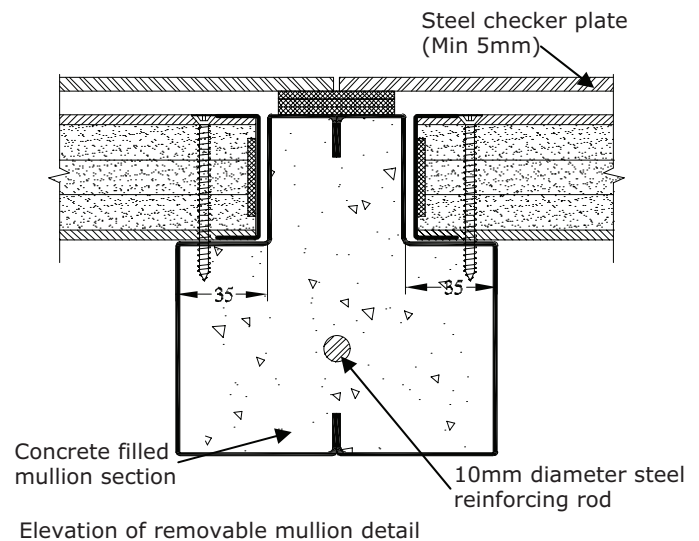
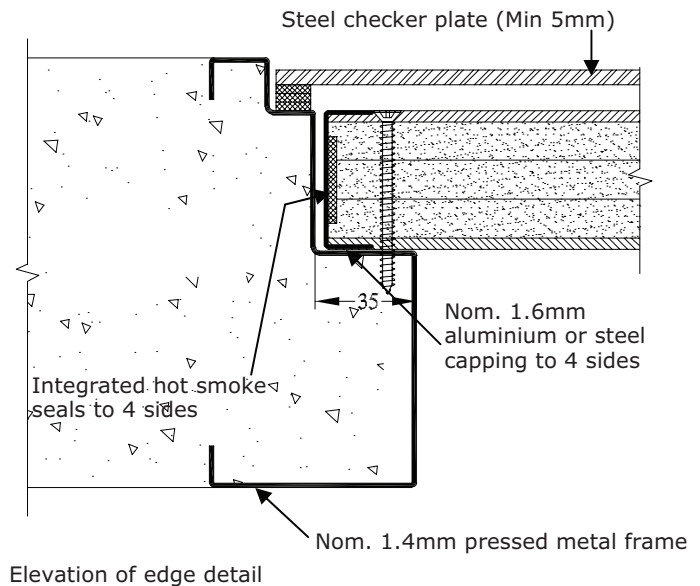
### MODELS

| Model        | FRL       | Thickness | Max Size Single Panel                | Max Size Per Panel For Pairs         |
|--------------|-----------|-----------|--------------------------------------|--------------------------------------|
| PFAP-240/120 | -/240/120 | 48        | 1750 x 550<br>(Opening = 1690 x 490) | N/A                                  |
| PFAP-120/120 | -/120/120 | 48        | 1325 x 885<br>(Opening = 1265 x 825) | 1325 x 885<br>(Opening = 1265 x 825) |

### HOW TO SPECIFY

"Eg. Access panel to be a Pyropanel fire rated floor access panel PFAP-240/120\*, FRL -/240/120\*, Ply face\*, screw fixings.

\* denotes example - delete, change or specify as required



### Pyropanel Developments Pty Ltd

235 Huntingdale Road, Oakleigh, Vic 3166  
 Ph: (03) 9837 8500 Fax: (03) 9837 8550  
 Email: [sales@pyropanel.com.au](mailto:sales@pyropanel.com.au)  
 Web: [www.pyropanel.com.au](http://www.pyropanel.com.au)

### Distributed by:

**Holland Fire Doors & Windows**  
 23 Saggart Field Rd, Minto, NSW, 2566  
 Ph: 9603 8500  
 Email: [sales@hollandfiredoors.com.au](mailto:sales@hollandfiredoors.com.au)