

FIRE COLLARS

Retrofit Fire Collar (Single-fit)

DESCRIPTION

A bolt-on, steel-cased retro-fit fire collar housing an intumescent material which is activated in the event of fire, crushing the plastic pipe and sealing against the passage of flame and hot gases. The intumescent material is unaffected by water, atmospheric influences and industrial environments, and is also resistant to dilute acids, alkalis, paints and conventional construction materials such as gypsum, lime, cement and adhesives.

APPLICATIONS

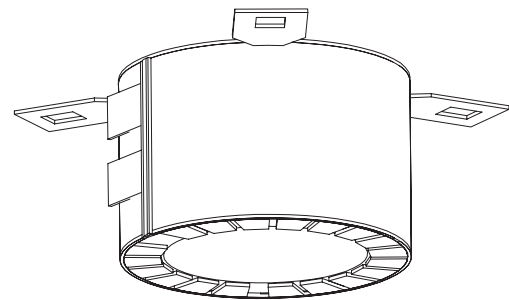
Suitable for use in fire rating plastic pipes passing through floors in high residential construction, flats, townhouses, apartments, civil projects, health care and aged care facilities, offices, etc.

FEATURES

- Fully certified to Australian Standards AS1530.4 and AS4072.1
- 7 collar sizes service pipe sizes from 32 to 150mm (nom)
- Low height of collar ensures maximum clearance for pipe fittings
- Quick and easy to install - no adjustment necessary
- A cost effective fire stopping solution
- Multi fit collars also available (see Tech Sheet PAS-02).
- Approved for installation on underside of masonry slabs, or attached to either side of masonry walls or plasterboard walls. And some sizes are approved for floor wastes.
- RF50, RF80 & RF 100 also approved for floor wastes.
- 10 year warranty on intumescent material.

INSTRUCTIONS

- Clip collar around pipe
- Attach collar to underside of slab or to either side of wall using steel fixings (Dynabolts, steel knock-ins for masonry elements and screws with washers for plasterboard walls).
- Seal any gap between collar and underside of slab or wall with Pyropanel Multiflex fire rated acrylic sealant (do not seal between pipe and inside of collar).



HOW TO SPECIFY

Eg, "Fire Collars to be Pyropanel 'RF' Retro-fit (single-fit) fire collars , installed as per manufacturers instructions"

* denotes example - delete, change or specify as required

MODELS AVAILABLE

Model	To suit nominal Pipe (mm)	Actual PVC pipe O.D (mm)	Collar opening	Collar height	Collar width (OD)	Floor application	Masonry Wall Application	Dry wall Application
RF40	40	43.1	45	50	68	uPVC: -/240/240 PP, PE, HDPE, ABS: -/180/180	uPVC: -/120/60 PP, PE, HDPE, ABS: -/120/60	uPVC: -/120/120
RF50	50	56	58	50	85	uPVC: -/180/180 (-/180/120 floor waste) PP, PE, HDPE, ABS: -/240/240	uPVC: -/120/60 PP, PE, HDPE, ABS: -/120/60	uPVC: -/120/120
RF65	65	69.1	70	50	100	uPVC: -/180/180 PP, PE, HDPE, ABS: -/240/240	uPVC: -/120/60 PP, PE, HDPE, ABS: -/120/60	uPVC: -/120/120
RF80	80	82.7	85	55	115	uPVC: -/180/180 (-/180/120 floor waste) PP, PE, HDPE, ABS: -/240/240	uPVC: -/120/60 PP, PE, HDPE, ABS: -/120/60	uPVC: -/120/120
RF100	100	110.4	112	60	150	uPVC: -/180/180 (-/120/120 floor waste) PP, PE, HDPE, ABS: -/240/240	uPVC: -/120/60 PP, PE, HDPE, ABS: -/120/60	uPVC: -/120/120
RF125	125	129	130	53	180	PP: -/120/120	Not suitable	Not suitable
RF150	150	160	165	60	205	uPVC: -/240/240 PP, PE, HDPE, ABS: -/120/120	uPVC: -/120/60	Not suitable

Pyropanel Developments Pty Ltd
 235 Huntingdale Rd, Oakleigh, Vic 3166
 Ph: (03) 9837 8500 Fax: (03) 9837 8550
 Email: sales@pyropanel.com.au
 Web: www.pyropanel.com.au

Distributed by:
Holland Fire Doors & Windows
 23 Saggart Field Rd, Minto, NSW, 2566
 Ph: 9603 8500
 Email: sales@hollandfiredoors.com.au

FIRE COLLARS

Retrofit Fire Collar (Single-fit)

RF225 & RF300 COLLARS



FEATURES

- Fully certified to Australian Standards AS1530.4
- 2 collar sizes, service pipe sizes 225 and 300mm (nom)
- Low height of collar ensures maximum clearance for pipe fittings
- Quick and easy to install - no adjustment necessary
- A cost effective fire stopping solution
- Approved for installation on underside of masonry slabs, or attached to either side of masonry walls, and approvals as shown in table below.
- 10 year warranty on intumescent material

MODELS AVAILABLE

Model	To suit nominal Pipe (mm)	Actual PVC pipe O.D (mm)	Collar opening	Collar height	Collar width (OD)	Pipe Wall Thickness	Floor application	Masonry Wall Application	Plasterboard wall >100mm thick
RF225	225	250	262	60	320	7.2mm	uPVC: -/120/120	uPVC: -/120/120	uPVC: -/120/120
RF300	300	315	317	60	375	uPVC: 7.7mm PP: 15mm	uPVC: -/90/90 PP: -/120/120	uPVC: -/180/180 PP: -/180/180	Not suitable

INSTRUCTIONS

- Clip collar around pipe
- 6 fixing tabs on the collar. Attach collar to underside of slab or to either side of wall using steel fixings (Dynabolts, steel, knock-ins).
- Seal any gap between collar and underside of slab or wall with Pyropanel Multiflex fire rated acrylic sealant (no not seal between pipe and inside of collar).

HOW TO SPECIFY

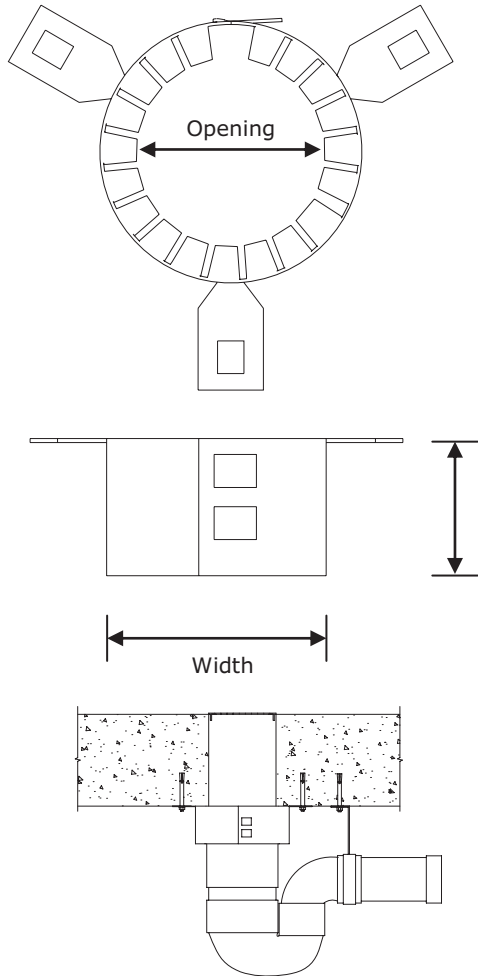
Eg, "Fire Collars to be Pyropanel 'RF' Retro-fit (Single-fit) fire collars, installed as per manufacturers instructions"

* denotes example - delete, change or specify as required

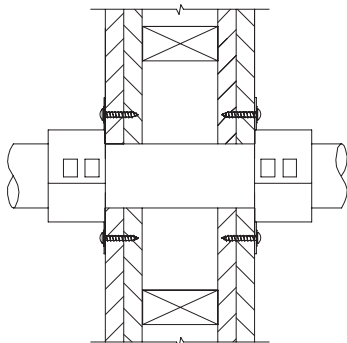
FIRE COLLARS

Retrofit Fire Collar (Single-fit)

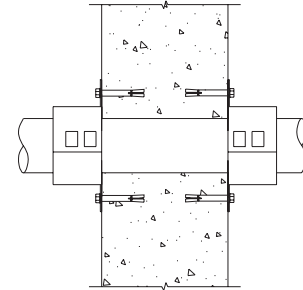
BUILDING IN DETAILS



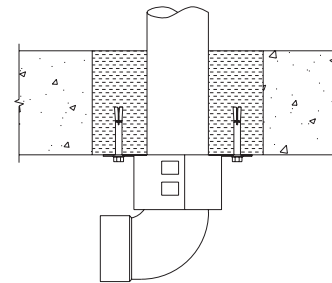
Typical floor waste application showing surface mounted installation under slab (-/180/120)



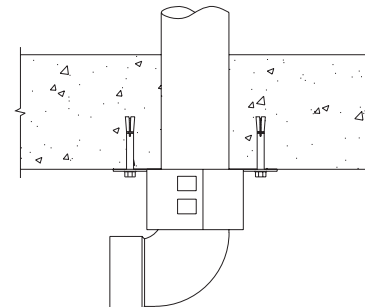
Typical wall application showing two retrofit collars fitted to both sides of the plasterboard wall.



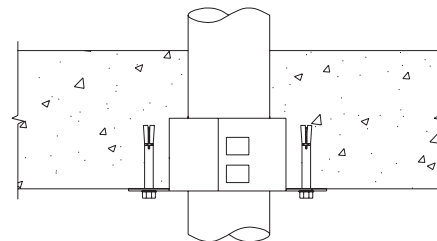
Typical wall application showing two retrofit collars fitted to both sides of a masonry wall.



Typical floor application showing a retrofit collar fitted to underside of slab. Note backfilling of oversized hole if required.



Typical floor application showing a retrofit collar fitted to underside of slab, with pipe and elbow.



Alternative cast-in installation - Contact Pyropanel for confirmation of fire rating.

Pyropanel Developments Pty Ltd
 235 Huntingdale Road, Oakleigh, Vic 3166
 Ph: **(03) 9837 8500** Fax: (03) 9837 8550
 Email: sales@pyropanel.com.au
 Web: www.pyropanel.com.au

Distributed by:
Holland Fire Doors & Windows
 23 Saggart Field Rd, Minto, NSW, 2566
 Ph: **9603 8500**
 Email: sales@hollandfiredoors.com.au