

SUB-STATION DOORS

Special Purpose Sub-Station Doorsets

DESCRIPTION

Manufactured to the specification of the Electricity Supply Authorities, these doorsets can be made for individual project requirements, and are available as single or double leaf as well as cubicle sets, all complete with frames and hardware.

APPLICATIONS

Ideal for substations in hospitals, schools, public buildings etc, or anywhere that requires a metal door with excellent ventilation.

FEATURES

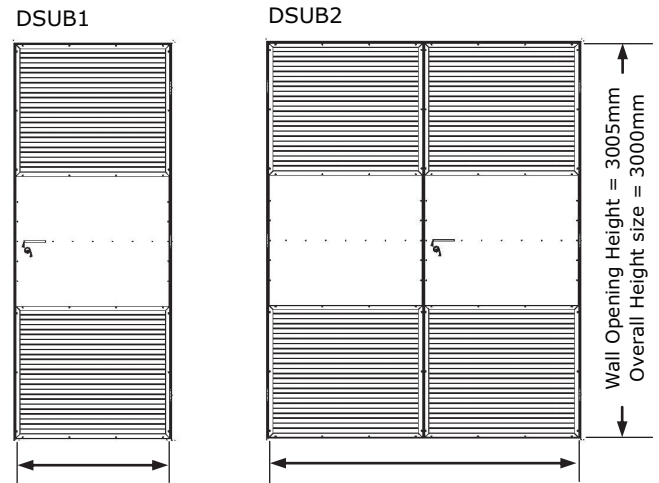
- Fully weather and vermin proof, fixed louver aluminium ventilations sealed to door with waterproof compound.
- Aluminium Ventilators constructed to AS1866.
- Door faces constructed from 1.6mm flat galvanised sheeting, fastened with pop rivets at 150mm spacings.
- Welded construction leaf frame, as per AS1554.1.
- Vents 0.015mm clear anodised finish.
- Door frames constructed from 40 x 40 x 5mm mild steel angle, welded, ground flush, and prime painted.
- Door leaves hung on 3 No. 100mm plated steel hinges, factory-fitted to frames.
- Center door can be removed on DSUB3 to provide just under 3600 clear opening.
- Outer doors open 180°.
- Special sizes are available for all models.
- Active leaf on DSUB2 or DSUB3 to be specified on plans.
- DSUB3 supplied Pre-Hung in modular form for ease of transport and handling - easily assembled on site.

HARDWARE

- Lockwood 211 Stream Latch
- 'D' pull handle
- Tower Bolts (DSUB2 and DSUB3) to the non-active leaf of the pair door.
- Lockwood 9000 vertical Panic exit device (DSUB3 only)
- Panic Bolt (DSUB3 only) to the base of the removeable mullion.

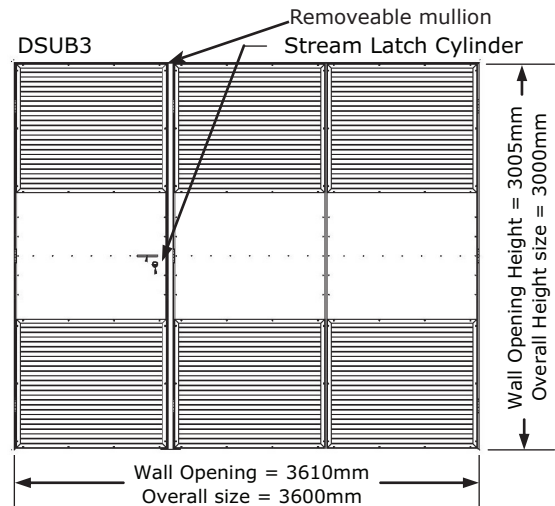
OPTIONAL EXTRAS

- Single Panic Bar (DSUB1 and 2)
- Lockwood 3572 Mortise Lock (DSUB1, 2 and 3)
- Pressed metal door frame (DSUB1, 2 and 3)



Wall Opening = 1202mm
Overall size = 1192mm

Wall Opening = 2380mm
Overall size = 2370mm



MODELS

MODEL	LEAF	WALL OPENING	OVERALL SIZE
DSUB1	Single	3005 x 1192	3000 x 1192
DSUB2	Pair	3005 x 2380	3000 x 2370
DSUB3	Triple	3005 x 3610	3000 x 3600

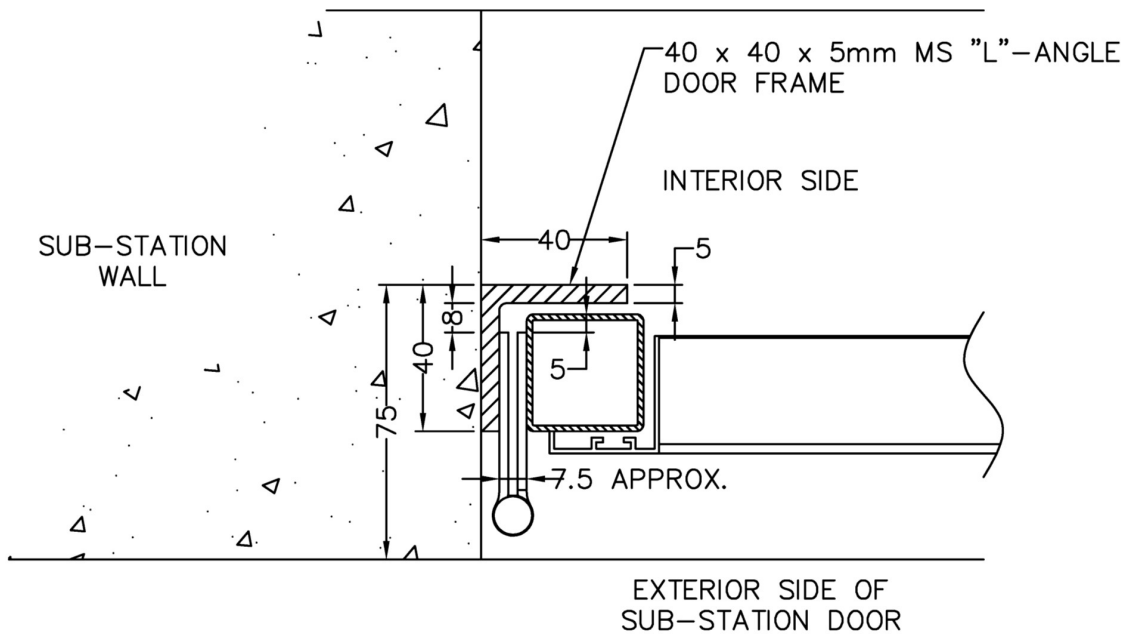
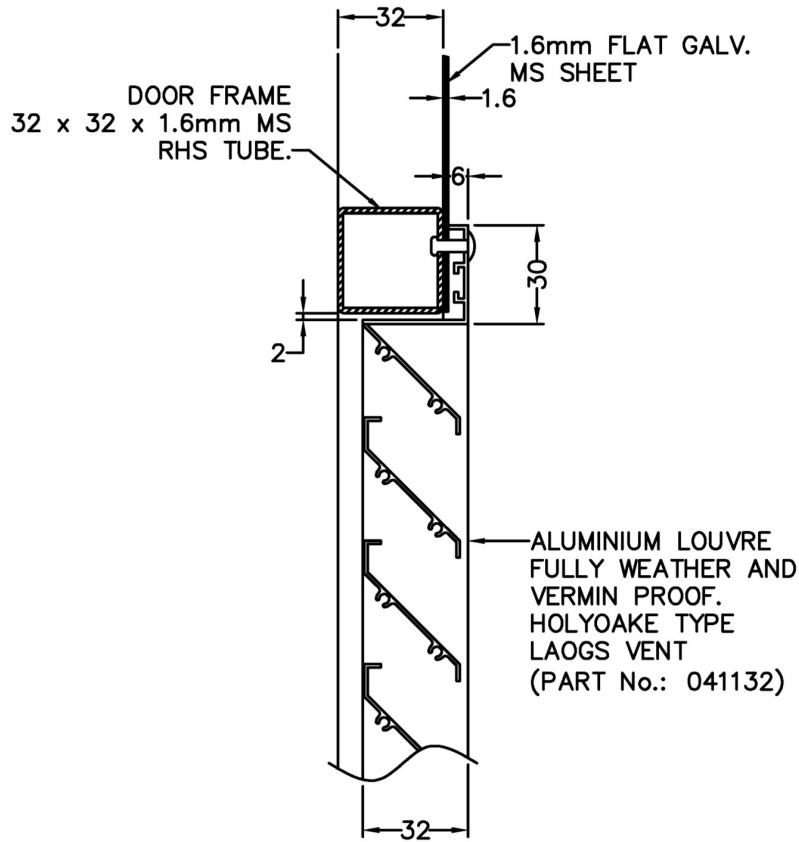
HOW TO SPECIFY

"Door to be a Pyropanel Substation door Model DSUB3* with the following options: (eg, Mortise lock, pressed metal door frames, etc).

* denotes example - delete, change or specify as required

SUB-STATION DOORS

Special Purpose Sub-Station Doorsets con't



Pyropanel Developments Pty Ltd

235 Huntingdale Road, Oakleigh, Vic 3166
Ph: **(03) 9837 8500** Fax: (03) 9837 8550
Email: sales@pyropanel.com.au
Web: www.pyropanel.com.au

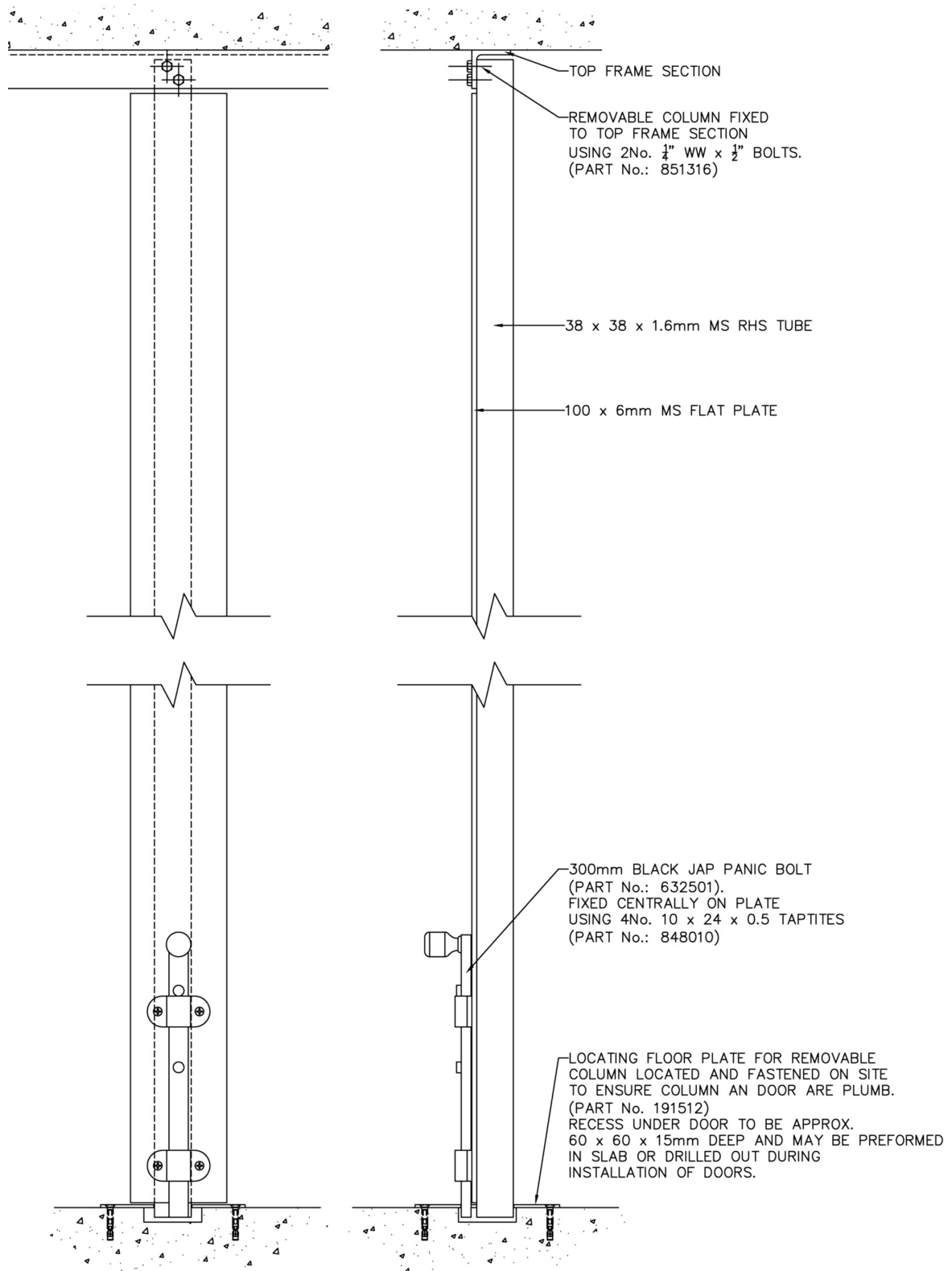
Distributed by:

Holland Fire Doors & Windows

23 Saggart Field Rd, Minto, NSW, 2566
Ph: **9603 8500**
Email: sales@hollandfiredoors.com.au

SUB-STATION DOORS

Special Purpose Sub-Station Doorsets con't



Pyropanel Developments Pty Ltd
 235 Huntingdale Road, Oakleigh, Vic 3166
 Ph: **(03) 9837 8500** Fax: (03) 9837 8550
 Email: sales@pyropanel.com.au
 Web: www.pyropanel.com.au

Distributed by:
Holland Fire Doors & Windows
 23 Saggart Field Rd, Minto, NSW, 2566
 Ph: **9603 8500**
 Email: sales@hollandfiredoors.com.au