

FIRE RATED ACCESS PANEL

1hr fire rated wall access panel

TECH SHEET: PANEL-01

Issue: 08-09-06

Hinged or screw fixed wall access panel with 1 hr fire rating

DESCRIPTION

Hinged or screw fixed wall access panel suitable for installation in masonry or stud walls with a pressed metal frame or T-section frame, with a -/60/60 fire rating.

APPLICATIONS

Shops, offices, apartments and any application where access needs to be achieved through a fire rated wall.

FEATURES

- Fully insulated for 60 minutes
- MDF, ply or steel facing available
- Suitable for masonry, concrete or plaster walls
- Screw fixed at 500mm centres on all sides, or hinged with budget locks at 500mm centres on lock side.
- 38mm or 48mm thick
- Medium and hot temperature smoke seals, fire seals, and acoustic seals available
- Standard 4 sided pressed metal door frame with 25mm doorstops available in a variety of profiles (see *fire rated frame profiles*), or
- T-Section frame available (screw fix only) comprised of 2 welded 25mm x 25mm x 3mm steel angles
- Single leaf configurations only
- Recommended hinge configuration:
 - up to 2040 x 920 = 3 hinges.
 - up to 2400 x 1200 = 4 hinges.

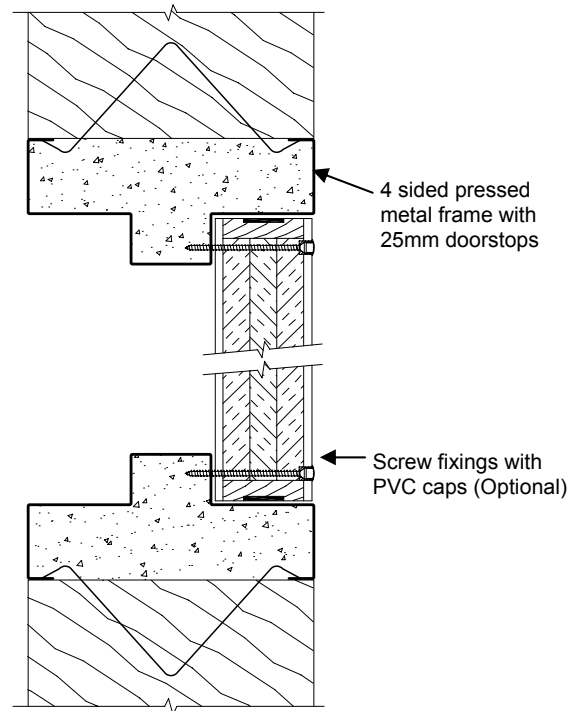
MODELS

Model	FRL	Thickness (mm)	Max size (mm)
PWAP-60/60	-/60/60	38 or 48	2400 x 1200

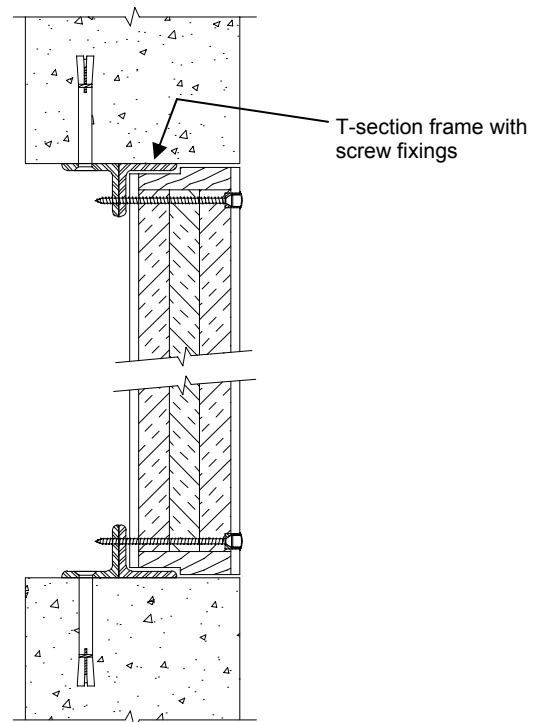
HOW TO SPECIFY

"Eg. Access panel to be a Pyropanel fire rated wall access panel PWAP-60/60, 38 / 48mm thick*, -/60/60, MDF face*, with hinges and budget locks / screw fixings*"

* denotes example - delete, change or specify as required.



Wall panel with pressed metal door frame



Wall panel with T-Section frame



Pyropanel Developments Pty Ltd
122-124 Beresford Rd, Lilydale, VIC, 3140
Ph: (03) 9735 5688 Fax: (03) 9739 5772
Email: sales@pyropanel.com.au
Web: www.pyropanel.com.au

Distributed by:
Holland Fire Doors & Windows
23 Saggart Field Rd, Minto, NSW, 2566
Ph: 9603 8500
Email: sales@hollandfiredoors.com.au