

# FIRE RATED ACCESS PANEL

## 4hr fire rated wall access panel

**TECH SHEET: PANEL-03**

Issue: 08-09-06

**Hinged or screw fixed wall access panel with 4 hr fire rating**

### DESCRIPTION

Hinged or screw fixed wall access panel suitable for installation in masonry walls with a pressed metal frame or T-section frame, with a -/240/60 or -/240/120 fire rating.

### APPLICATIONS

Shops, offices, apartments, factories and any application where access needs to be achieved through a fire rated wall.

### FEATURES

- Fully insulated for 60 or 120 minutes
- Ply or steel facing available
- Suitable for masonry, concrete or plaster walls
- Screw fixed at 500mm centres on all sides, or hinged with budget locks at 500mm centres on lock side.
- 48mm thick only
- Medium and hot temperature smoke seals, fire seals, and acoustic seals available
- Standard 4 sided pressed metal door frame with 25mm doorstops available in a variety of profiles (see *fire rated frame profiles*), or
- T-Section frame available (screw fix only) comprised of 2 welded 25mm x 25mm x 3mm steel angles
- Single leaf configurations only
- Recommended hinge configuration:
  - up to 2040 x 920 = 3 hinges.
  - up to 2400 x 1200 = 4 hinges.

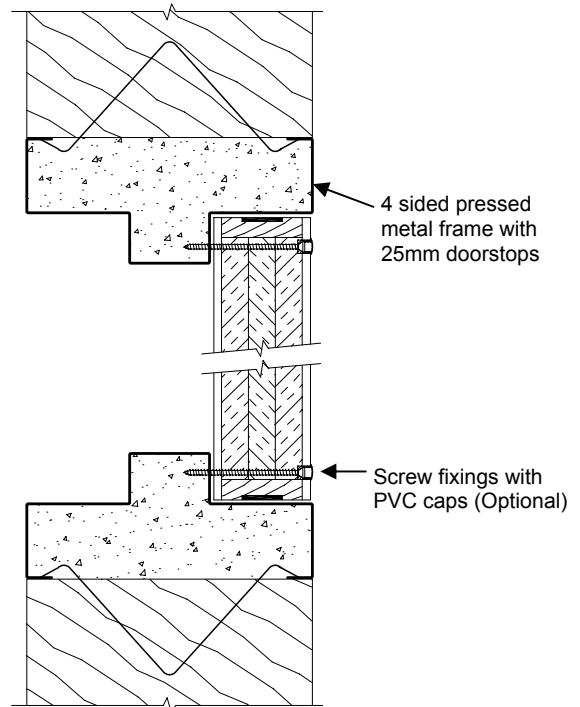
### MODELS

Model	FRL	Thickness (mm)	Max size (mm)
PWAP-240/60	-/240/60	48	2400 x 1200
PWAP-240/120	-/240/120	67	1145 x 645

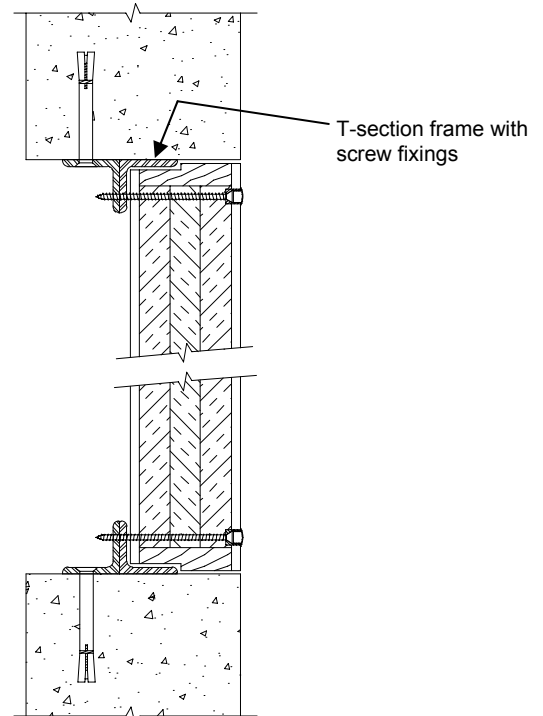
### HOW TO SPECIFY

"Eg. Access panel to be a Pyropanel fire rated wall access panel PWAP-240/60, 48mm thick, -/240/60, Ply face, with hinges and budget locks / screw fixings\*"

\* denotes example - delete, change or specify as required.



Wall panel with pressed metal door frame



Wall panel with T-Section frame



**Pyropanel Developments** Pty Ltd  
122-124 Beresford Rd, Lilydale, VIC, 3140  
Ph: (03) 9735 5688 Fax: (03) 9739 5772  
Email: sales@pyropanel.com.au  
Web: www.pyropanel.com.au

**Distributed by:**  
**Holland Fire Doors & Windows**  
23 Saggart Field Rd, Minto, NSW, 2566  
Ph: 9603 8500  
Email: sales@hollandfiredoors.com.au