

Non fire rated 41 Rw acoustic / smoke door PAIR

DESCRIPTION

Pyropanel AP-41-PYROL is a 41 Rw, non fire rated 56mm leaf acoustic door PAIR that utilises 3708A 'Zero' and B119W perimeter seals, 367A 'Zero' and Pyropanel 'Pyrosill' sill seals, and a Pyropanel Rubber rebated meeting stile seal. This door has one steel face, one ply face as standard.

APPLICATIONS

Ideal for applications that do not require fire rating but require smoke resistance and acoustic rating of 41 Rw in a pair configuration. This is a lightweight steel faced door that has excellent sound reduction characteristics.

FEATURES

Acoustic Rating

- 41 Rw (41 STC)

Test Certificate number

- TL373(p)

Fire Resistance

- Nil

Door Configuration

- Single acting pair configuration hung in a steel or timber frame

Perimeter Seal

- 3798A "Zero" seal, and
- B119W seal

Bottom Seal

- 367A "Zero" seal, and
- Pyropanel 'Pyrosill'

Meeting Stile

- Pyropanel rubber rebated meeting stile

Thickness

- 56mm (Nominal)

Size

- Maximum Size (overall) - 2400 high x 1200/1200 wide

Frame

- Pyropanel KDHW timber or packed pressed metal frame

Finish

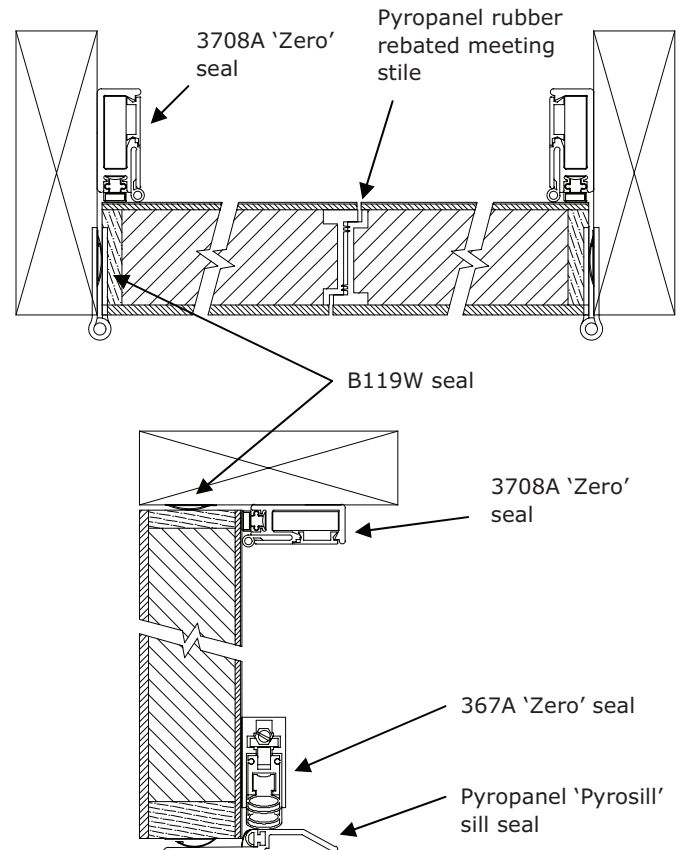
- Steel to one face, ply to other face as standard (steel to both faces is available on request).

OPTIONAL EXTRAS

- Pre-hung in steel or timber frame
- Ply, Veneer, MDF or Laminate facings over existing faces
- Stainless steel facings
- Vision panels - 300 x 200 or 600 x 100mm
- Kick Panels of 1.2mm Stainless Steel to selected height
- Meets the BCA requirement for a smoke door

INSTALLATION

Door frame must be tightly sealed against wall structure using Pyropanel Multiflex or approved alternative fire and acoustic sealant. Metal door frames will require packing with Pyropanel FR board, Fire rated plaster, concrete or mortar to achieve desired acoustic rating.



HOW TO SPECIFY

"Door to be a Pyropanel AP-41-PYROL acoustic door pair, installed into a Pyropanel timber / packed metal* door frame"

* denotes example - delete, change or specify as required

Pyropanel Developments Pty Ltd

Unit 1, 97 Lewis Rd, Wantirna South, Vic 3152

Ph: (03) 9837 8500 Fax: (03) 9837 8550

Email: sales@pyropanel.com.au

Web: www.pyropanel.com.au

Distributed by:

Holland Fire Doors & Windows

23 Saggart Field Rd, Minto, NSW, 2566

Ph: 9603 8500

Email: sales@hollandfiredoors.com.au