

1 Hr fire rated 27 Rw single acoustic / smoke / fire door

DESCRIPTION

Pyropanel AS-27-PAN-E is a 27 Rw 1 hour fire rated 38mm (nom) single leaf acoustic door that utilises a Raven bottom seal and a Pyropanel Euroseal concealed perimeter seal. This door has also been tested to AS 1530.7 for smoke leakage.

APPLICATIONS

Ideal for applications that require up to 1 hour of fire resistance and an acoustic rating of up to 27 Rw.

FEATURES

Acoustic Rating

- 27 Rw

Fire Resistance

- FRL -/60/30

Smoke Resistance

- Tested for smoke leakage-refer Pyropanel Life Safety Door model LSD-60-C/MS/EU for smoke leakage data

Door Configuration

- Single leaf hung in a steel or timber frame.

Perimeter Seal

- Pyropanel Euroseal® concealed fire/smoke/acoustic seal.

Bottom Seal

- Raven RP99si

Thickness

- 38mm (nominal).

Size

- Maximum Size - 2200 x 920mm(-/60/30)
 - 2420 x1020 or 2200 x 1120mm (-/30/30)
 - 2400 x 1100mm (- / - / -)

Hinges

- Minimum 3 steel hinges.

Frame

- Pyropanel KDHW timber or filled steel frame.

Finish

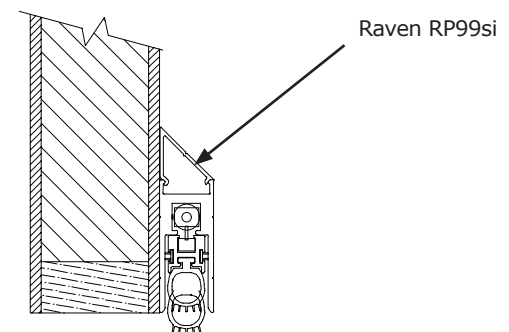
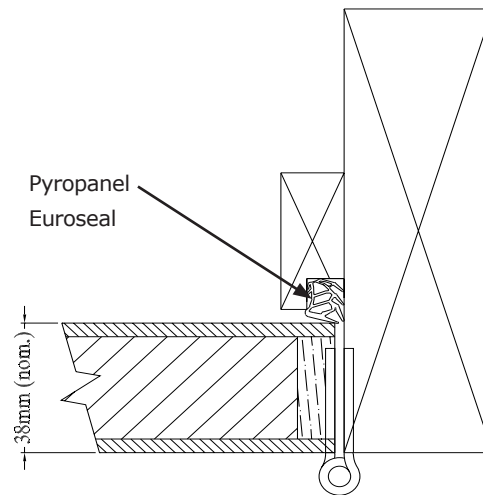
- MDF as standard.

OPTIONAL EXTRAS

- Pre-hung in steel or timber frame.
- Ply, Veneer facings.

INSTALLATION

Door frame must be tightly sealed against wall structure using Pyropanel Multiflex fire and acoustic sealant. Steel door frames will require packing with Pyropanel FR board, Fire rated plasterboard, concrete or mortar to achieve desired acoustic rating.



HOW TO SPECIFY

"Door to be a Pyropanel AS-27-PAN-E acoustic door with -/60/30* FRL, installed into a Pyropanel Fire rated timber / filled steel* door frame".

* denotes example - delete, change or specify as required

Pyropanel Developments Pty Ltd

Unit 1, 97 Lewis Rd, Wantirna South, Vic 3152

Ph: (03) 9837 8500 Fax: (03) 9837 8550

Email: sales@pyropanel.com.au

Web: www.pyropanel.com.au

Distributed by:

Holland Fire Doors & Windows

23 Saggart Field Rd, Minto, NSW, 2566

Ph: 9603 8500

Email: sales@hollandfiredoors.com.au