

30 minute fire rated 28 Rw single acoustic / smoke / fire door**DESCRIPTION**

Pyropanel AS-28-PAN(i) is a 28 Rw, 30 minute fire rated 48mm (nom) single leaf acoustic door that utilises a Raven RP78si perimeter seal and a RP99si bottom seal.

This door has also been tested to AS1530.7 for smoke leakage.

APPLICATIONS

Ideal for applications that require 30minutes of fire resistance and an acoustic rating of up to 28 Rw.

FEATURES**Acoustic Rating**

- 28 Rw

Fire Resistance

- FRL -/30/30

Smoke Resistance

- Tested for smoke leakage - refer Pyropanel Life Safety door model LSD-30-C/MS for smoke leakage data.

Door Configuration

- Single leaf, hung in a steel or timber frame.

Perimeter Seal

- Raven RP78si

Bottom Seal

- Raven RP99si

Thickness

- 48mm (nominal)

Size

- Maximum Size - 2420 x 1020mm or 2200 x 1120mm (-/30/30)
- 2400 x 1100mm (- / - / -)

Hinges

- Minimum 3 steel hinges.

Frame

- Pyropanel KDHW timber or filled steel frame.

Finish

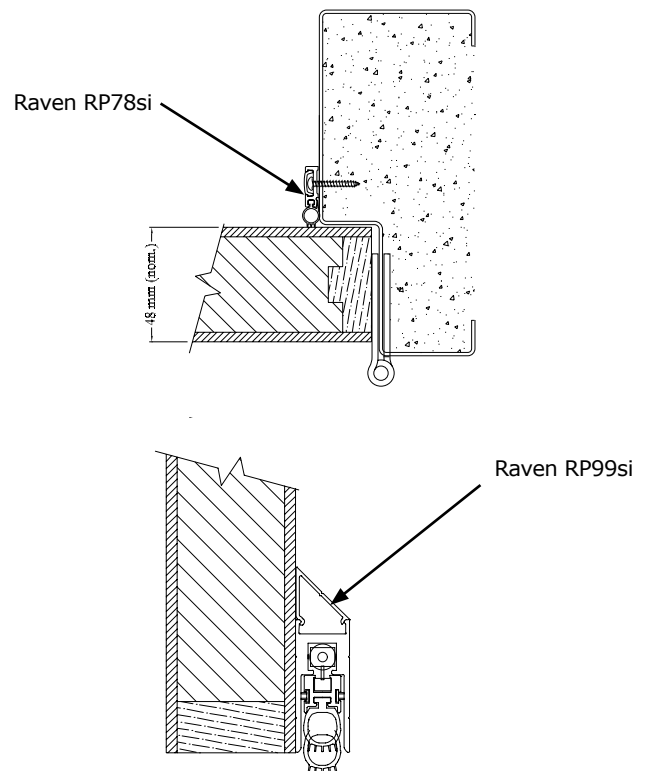
- MDF as standard.

OPTIONAL EXTRAS

- Pre-hung in steel or timber frame.
- Ply, Veneer, Steel or Laminate facings.
- Vision panels—300 x 200 or 600 x 100mm.
- Kick Panels of 1mm Stainless Steel to selected height.

INSTALLATION

Door frame must be tightly sealed against wall structure using Pyropanel Multiflex fire and acoustic sealant. Steel door frames will require filling with fire rated plasterboard, Pyropanel light weight M4 Mortar concrete or mortar to achieve desired acoustic rating.

**HOW TO SPECIFY**

"Door to be a Pyropanel AS-28-PAN(i) acoustic door with -/30/30* FRL, installed into a Pyropanel Fire rated timber / filled steel* door frame".

* denotes example - delete, change or specify as required

Pyropanel Developments Pty Ltd

Unit 1, 97 Lewis Rd, Wantirna South, Vic 3152

Ph: (03) 9837 8500 Fax: (03) 9837 8550

Email: sales@pyropanel.com.au

Web: www.pyropanel.com.au

Distributed by:**Holland Fire Doors & Windows**

23 Saggart Field Rd, Minto, NSW, 2566

Ph: 9603 8500

Email: sales@hollandfiredoors.com.au