

ACOUSTIC DOOR

Acoustic Door 36/34Rw, (Non-fire rated)

DESCRIPTION

Pyropanel AS-PYROL-A is a non fire rated 48mm nominal single leaf acoustic door. This door comes standard with steel facings and edges (steel wrapped).

APPLICATIONS

Ideal for applications that require no fire resistance, but requires an acoustic rating of up to 36 Rw, such as acoustic doors in hospitals, schools and offices.

FEATURES

Acoustic Rating

- Up to 36 Rw (see table below)

Door Weight

- Approx 40 kg/m²

Door Configuration

- Single leaf

Thickness

- 48mm (Nominal)

Size

- Maximum Size - 2400 x 1200mm

Frame

- Packed steel frame

Finish

- Steel to both faces and edges (steel wrapped)

Seal combinations

Door Type	Perimeter	Bottom	Rw
AS-PYROL-A1	Euroseal	RP38si	36
AS-PYROL-A2	Euroseal	Pyrosill	34
AS-PYROL-A3	IS6030+LE1515	Pyrosill	36

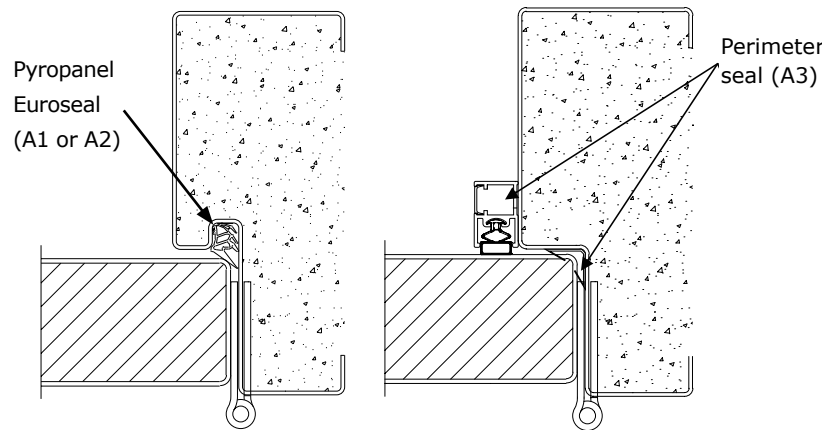
Note: Steel folding requires special tooling. Please check with the Pyropanel Distributor for availability in your area.

OPTIONAL EXTRAS

- Pre-hung in steel frame
- Stainless steel faces and edges
- Vision panels - 300 x 200 or 600 x 100mm nom.

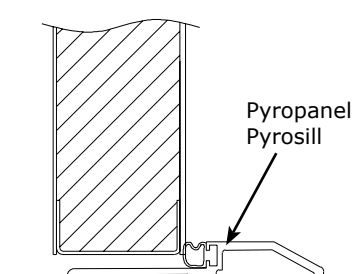
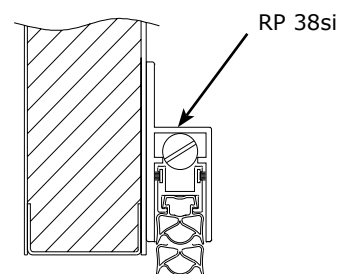
INSTALLATION

Door frame must be tightly sealed against wall structure using Pyropanel Multiflex acoustic sealant. Steel frames will require packing with Pyropanel FR board, plasterboard, concrete or mortar or Pyropanel light weight M4 Mortar to achieve desired acoustic rating.



A1 Bottom seal

A2 or A3 Bottom seal



HOW TO SPECIFY

"Door to be a Pyropanel AS-PYROL-A1* acoustic door installed into a steel door frame*"

* denotes example - delete, change or specify as required

Pyropanel Developments Pty Ltd

Unit 1, 97 Lewis Rd, Wantirna South, Vic 3152

Ph: (03) 9837 8500 Fax: (03) 9837 8550

Email: sales@pyropanel.com.au

Web: www.pyropanel.com.au

Distributed by:

Holland Fire Doors & Windows

23 Saggart Field Rd, Minto, NSW, 2566

Ph: 9603 8500

Email: sales@hollandfiredoors.com.au